

Parts Catalog

Commercial Vehicle

ApeCityPlus_PTL_CNG_LPG

PLATES INDEX

Sr No.	Plate Name	Plate No.	Page No.
1	ENG. 230 4S/3V BSIV APE CITY+	1	1-2
2	CLUTCH COVER ASSEMBLY	2	3-4
3	CLUTCH ASSEMBLY	3	5-6
4	OIL PUMP ASSEMBLY	4	7-8
5	COMPLETE DIFFERENTIAL GEAR	5	9-10
6	DIFFERENTIAL GEAR COVER WITH P.I.	6	11-12
7	INTAKE FITTING - CARBURETOR	7	13-16
8	AIR FILTER ASSEMBLY	8	17-18
9	COMPLETE CRANKCASE	9	19-22
10	GEAR SHIFTER AND CONTROL MECHANISM	10	23-24
11	CYLINDER HEAD WITH I.P.	11	25-26
12	CRANKSHAFT ASSEMBLY	12	27-28
13	AIRCOOLING CIRCUIT COMPONENTS	13	29-30
14	TIMING GROUP	14	31-32
15	CYLINDER- PISTON GROUP	15	33-34
16	ELECTRIC STARTING GROUP	16	35-36
17	GEAR GROUP	17	37-38
18	ENGINE SUPPORT	18	39-42
19	FUEL TANK/FILTER/FUEL PIPES - PETROL	19	43-44
20	WIND SHIELD/GLASS/BEADING	20	45-46
21	MAIN FRAME/BATTERY BKT/ JACK BKT	21	47-50
22	DASHBOARD ASSEMBLY	22	51-52
23	REAR SUSPENSION	23	53-56
24	STEERING COLUMN AND FRONT SUSPENSION	24	57-60
25	HANDLE BAR AND CONTROL	25	61-62
26	BRAKE - TANDEM MASTER CYLINDER ,BRAKE PIPE AND HAND BRAKES	26	63-66
27	ELECTRICAL DEVICES	27	67-72
28	FRONT MUDGUARD & HEAD LAMP ASSY.	28	73-74
29	PASSENGER BODY, HOOD FRAME & SEATS	29	75-78
30	WIRING HARNESS	30	79-80

PLATES INDEX

Sr No.	Plate Name	Plate No.	Page No.
31	FRONT BRAKE ASSEMBLY	31	81-82
32	REAR BRAKE ASSEMBLY	32	83-84
33	CABLES	33	85-86
34	CNG KIT	34	87-88
35	TWO STAGE CNG REGULATOR	35	89-90
36	FIRST STAGE REDUCTION UNIT	36	91-92
37	LPG KIT	37	93-94
38	TWO STAGE LPG REGULATOR	38	95-96
39	TOOLS & ACCESSORIES	39	97-100
40	TOOL KIT	40	101-102
41	FUEL TANK/FILTER/FUEL PIPES - GAS	20.1	103-104

PICTORIAL PLATES INDEX

PLATE-1 **ENG. 230 4S/3V BSIV APE CITY+**
Page No. :1-2



PLATE-2 **CLUTCH COVER ASSEMBLY**
Page No. :3-4

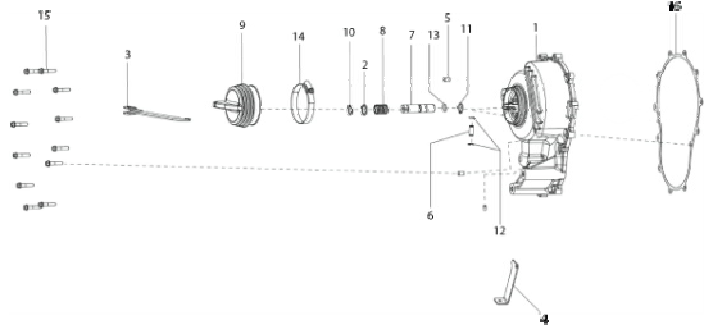


PLATE-3 **CLUTCH ASSEMBLY**
Page No. :5-6

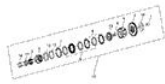


PLATE-4 **OIL PUMP ASSEMBLY**
Page No. :7-8

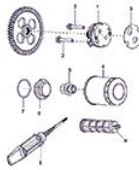


PLATE-5 **COMPLETE DIFFERENTIAL GEAR**
Page No. :9-10

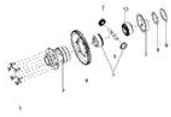


PLATE-6 **DIFFERENTIAL GEAR COVER WITH P.1.**
Page No. :11-12

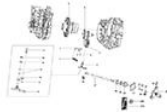


PLATE-7 **INTAKE FITTING - CARBURETOR**
Page No. :13-16

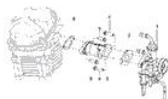
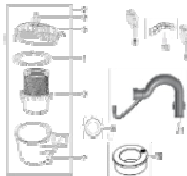
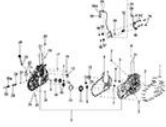
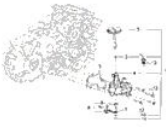


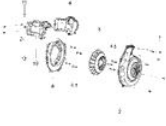


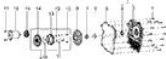



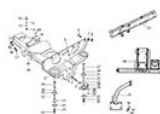
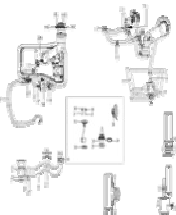


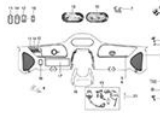


PLATE-8 **AIR FILTER ASSEMBLY**
Page No. :17-18



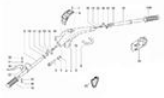





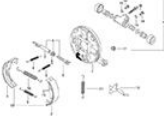

PICTORIAL PLATES INDEX

<p>PLATE-9 COMPLETE CRANKCASE Page No. :19-22</p> 	<p>PLATE-10 GEAR SHIFTER AND CONTROL MECHANISM Page No. :23-24</p> 
<p>PLATE-11 CYLINDER HEAD WITH I.P. Page No. :25-26</p> 	<p>PLATE-12 CRANKSHAFT ASSEMBLY Page No. :27-28</p> 
<p>PLATE-13 AIR COOLING CIRCUIT COMPONENTS Page No. :29-30</p> 	<p>PLATE-14 TIMING GROUP Page No. :31-32</p> 
<p>PLATE-15 CYLINDER- PISTON GROUP Page No. :33-34</p> 	<p>PLATE-16 ELECTRIC STARTING GROUP Page No. :35-36</p> 

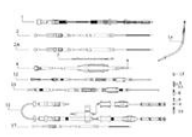
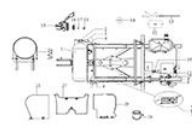
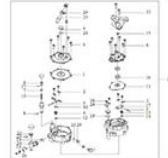

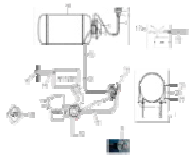
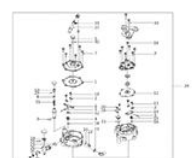


PICTORIAL PLATES INDEX

<p>PLATE-17 GEAR GROUP Page No. :37-38</p> 	<p>PLATE-18 ENGINE SUPPORT Page No. :39-42</p> 
<p>PLATE-19 FUEL TANK/FILTER/FUEL PIPES - PETROL Page No. :43-44</p> 	<p>PLATE-20 WIND SHIELD/GLASS/BEADING Page No. :45-46</p> 
<p>PLATE-21 MAIN FRAME/BATTERY BKT/ JACK BKT Page No. :47-50</p> 	<p>PLATE-22 DASHBOARD ASSEMBLY Page No. :51-52</p> 
<p>PLATE-23 REAR SUSPENSION Page No. :53-56</p> 	<p>PLATE-24 STEERING COLUMN AND FRONT SUSPENSION Page No. :57-60</p> 

PICTORIAL PLATES INDEX

<p>PLATE-25 HANDLE BAR AND CONTROL Page No. :61-62</p> 	<p>PLATE-26 BRAKE - TANDEM MASTER CYLINDER ,BRAKE PIPE AND HAND BRAKES Page No. :63-66</p> 
<p>PLATE-27 ELECTRICAL DEVICES Page No. :67-72</p> 	<p>PLATE-28 FRONT MUDGUARD & HEAD LAMP ASSY. Page No. :73-74</p> 
<p>PLATE-29 PASSENGER BODY, HOOD FRAME & SEATS Page No. :75-78</p> 	<p>PLATE-30 WIRING HARNESS Page No. :79-80</p> 
<p>PLATE-31 FRONT BRAKE ASSEMBLY Page No. :81-82</p> 	<p>PLATE-32 REAR BRAKE ASSEMBLY Page No. :83-84</p> 

PICTORIAL PLATES INDEX

<p>PLATE-33 CABLES Page No. :85-86</p> 	<p>PLATE-34 CNG KIT Page No. :87-88</p> 
<p>PLATE-35 TWO STAGE CNG REGULATOR Page No. :89-90</p> 	<p>PLATE-36 FIRST STAGE REDUCTION UNIT Page No. :91-92</p> 
<p>PLATE-37 LPG KIT Page No. :93-94</p> 	<p>PLATE-38 TWO STAGE LPG REGULATOR Page No. :95-96</p> 
<p>PLATE-39 TOOLS & ACCESSORIES Page No. :97-100</p> 	<p>PLATE-40 TOOL KIT Page No. :101-102</p> 

PICTORIAL PLATES INDEX

PLATE-20.1 FUEL TANK/FILTER/FUEL PIPES -
GAS
Page No. :103-104

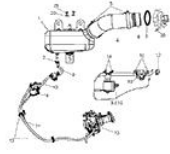


PLATE-1
ENG. 230 4S/3V BSIV APE CITY+

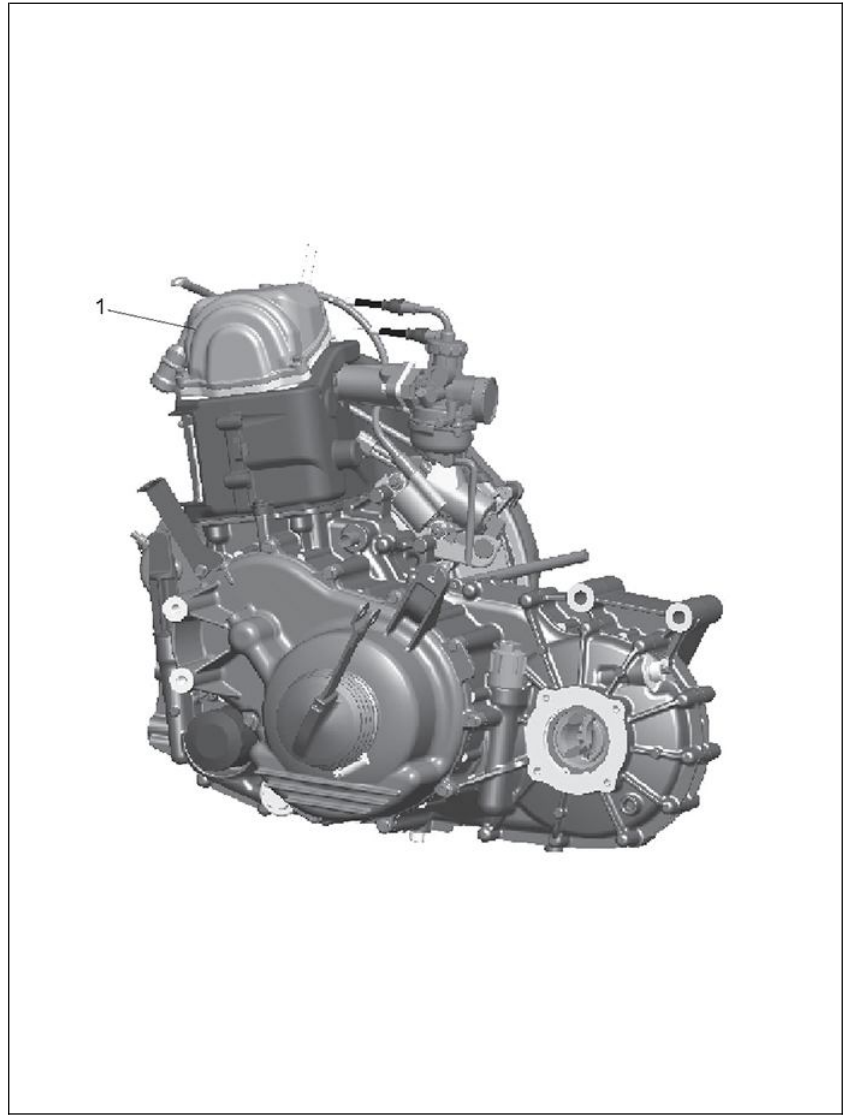


PLATE-1

ENG. 230 4S/3V BSIV APE CITY+

Fig. No.	Part No.	Description	Qty	Remarks
1	CM293903	ENG. 230 4S/3V BSIV APE PAX PETROL	1	PTL
1	CM293901	ENG. 230 4S/3V BSIV APE PAX LPG	1	LPG
1	CM293902	ENG. 230 4S/3V BSIV APE PAX CNG	1	CNG

PLATE-2
CLUTCH COVER ASSEMBLY

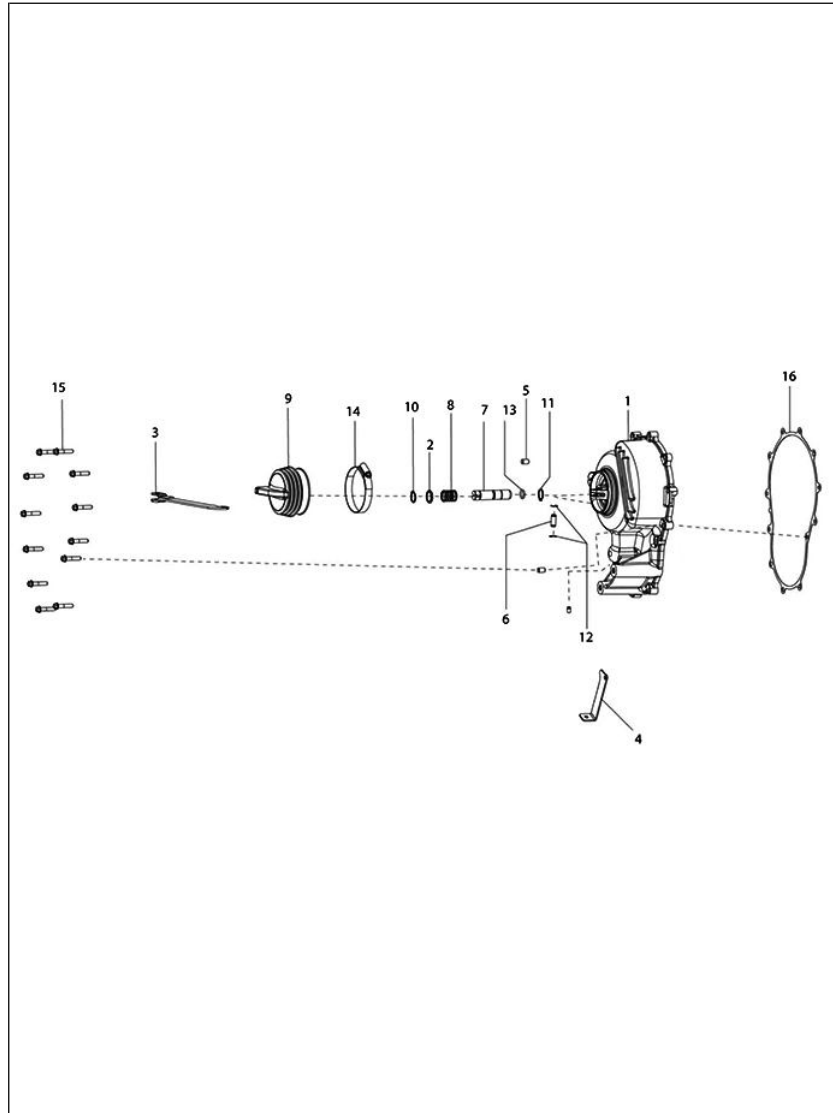


PLATE-2
CLUTCH COVER ASSEMBLY

Fig. No.	Part No.	Description	Qty	Remarks
1	1A010136	CLUTCH COVER	1	
2	120164019	RETAINING PLATE	1	
3	127460010	LINK ASSLY - CLUTCH (IMPROVED)	1	
4	1A008077	SUPPORT BRACKET STARTER MOTOR CABLE	1	
5	1A000708	DOWEL (Ø7,5, H=12)	2	
6	127013013	PIN CLUTCH	1	
7	1A010548	PLUNGER SHAFT	1	
8	127185012	SPRING - CLUTCH COVER	1	
9	127012019	BELLOW CLUTCH ACTUATING	1	
10	842001600	CIRCLIP DIA. 16(EXT)	1	
11	842001600	CIRCLIP DIA. 16(EXT)	1	
12	843000809	CIRCLIP DIA. 8(EXT) TYPE C	2	
13	B019220	O- RING (PLUNGER SHAFT)	1	
14	120170018	HOSE CLIP - CLUTCH COVER BELOW	1	
15	B018853	FLANGED HEXAGONAL HEAD SCREW M6X30	12	
16	1A012334	CLUTCH COVER GASKET	1	

PLATE-3
CLUTCH ASSEMBLY

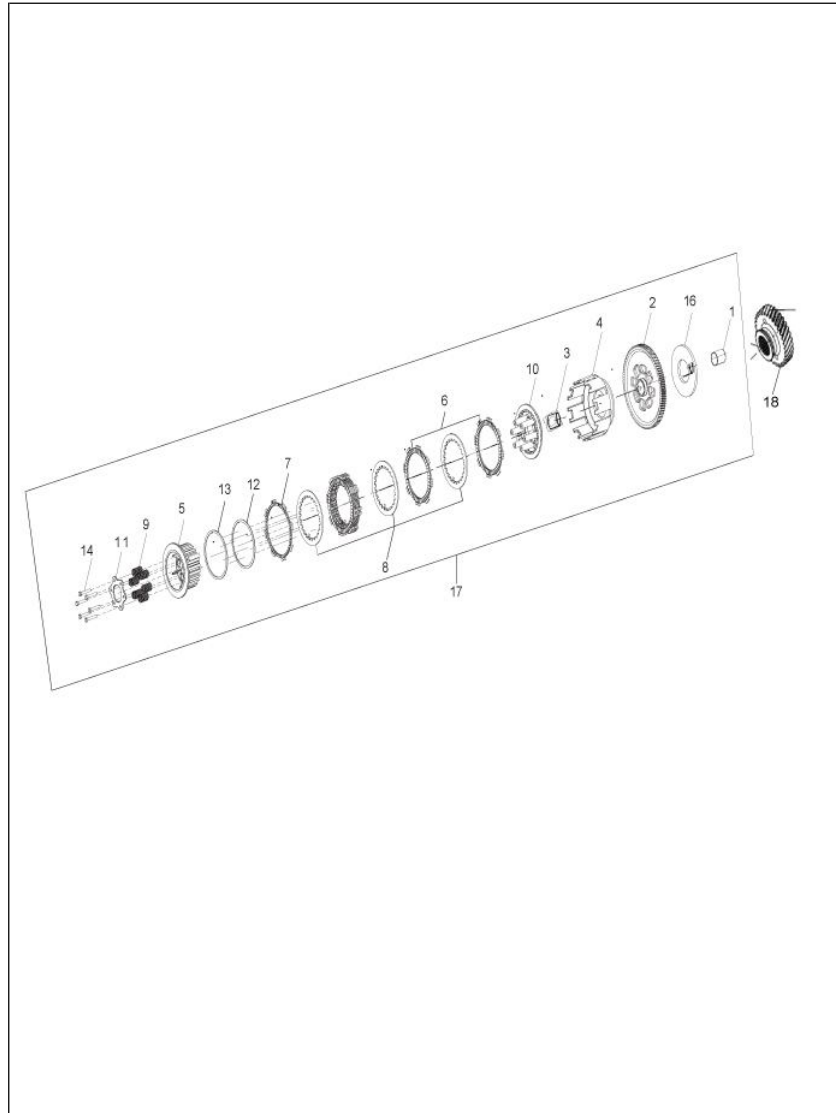


PLATE-3
CLUTCH ASSEMBLY

Fig. No.	Part No.	Description	Qty	Remarks
1	1A010461	SPACER	1	
2	---	CLUTCH GEAR	1	NS
3	1A010561	CLUTCH PRESSURE BUSH	1	
4	1A012150	HOUSING CLUTCH ASSY	1	
5	1A012152	HUB CLUTCH	1	
6	1A012153	FRICTION PLATE	6	
7	1A012154	RED FRICTION PLATE	1	
8	1A012155	PLATE CLUTCH	6	
9	1A012156	COMPRESSION SPRING	6	
10	1A012157	WHEEL CLUTCH	1	
11	1A012158	HOLDER CLUTCH	1	
12	1A012159	ANTI-JUDDER SPRING	1	
13	1A012160	ANTI-JUDDER WASHER	1	
14	1A012161	BOLT M5	6	
15	1A012151	PLATE CLUTCH ASSY	1	NI
16	B019420	CONICAL SPRING KNURLED WASHER	3	
17	1A010119	CLUTCH ASSY	1	
18	1A010208	ENGINE GEAR	1	

PLATE-4
OIL PUMP ASSEMBLY

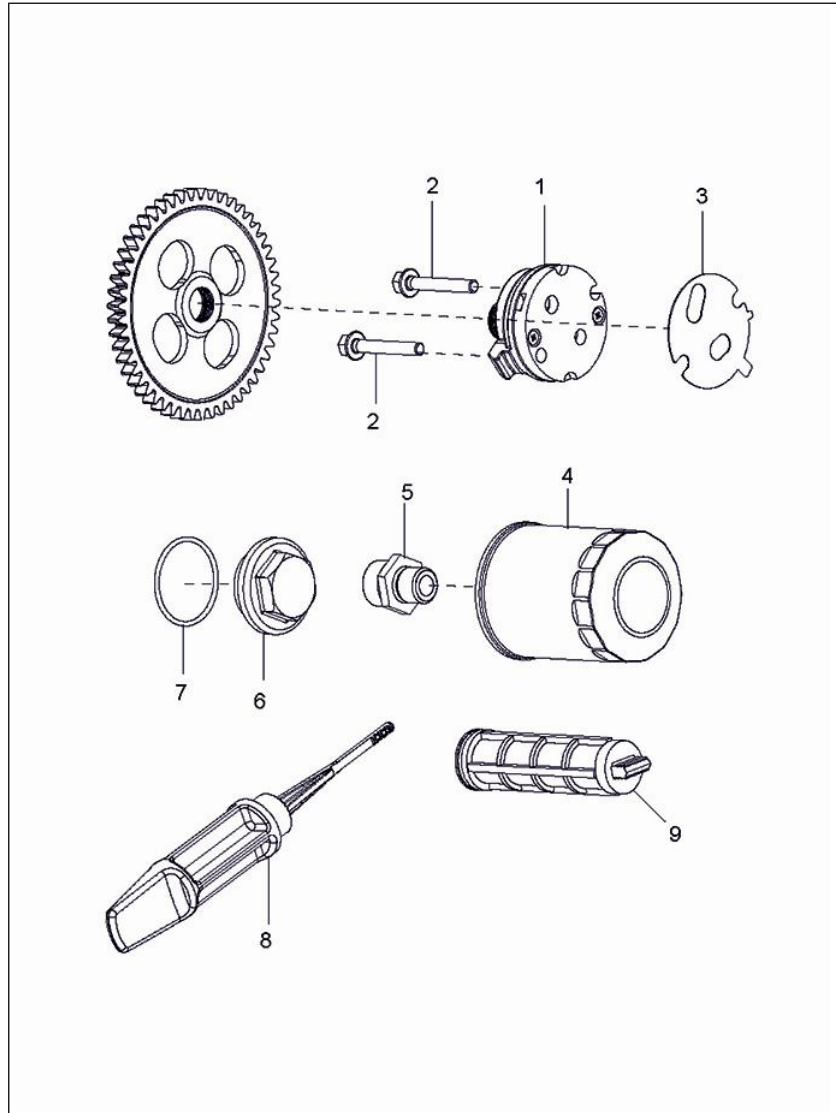


PLATE-4

OIL PUMP ASSEMBLY

Fig. No.	Part No.	Description	Qty	Remarks
1	1A006877	OIL PUMP ASSY	1	
2	1A016737	FLANGED HEXAGONAL HEAD SCREW	2	
3	B015943	CRANKCASE/ OIL PUMP GASKET	1	
4	82635R	COMPLETE OIL FILTER	1	
5	1A009762	OIL FILTER SCREW	1	
6	B015598	OIL FILTER PLUG	1	
7	285536	O-RING GASKET 31.47X1.78	1	
8	1A007047	OIL DIPSTICK COMPLETE	1	
9	1A006812	COMPLETE INTAKE OIL FILTER	1	

PLATE-5
COMPLETE DIFFERENTIAL GEAR

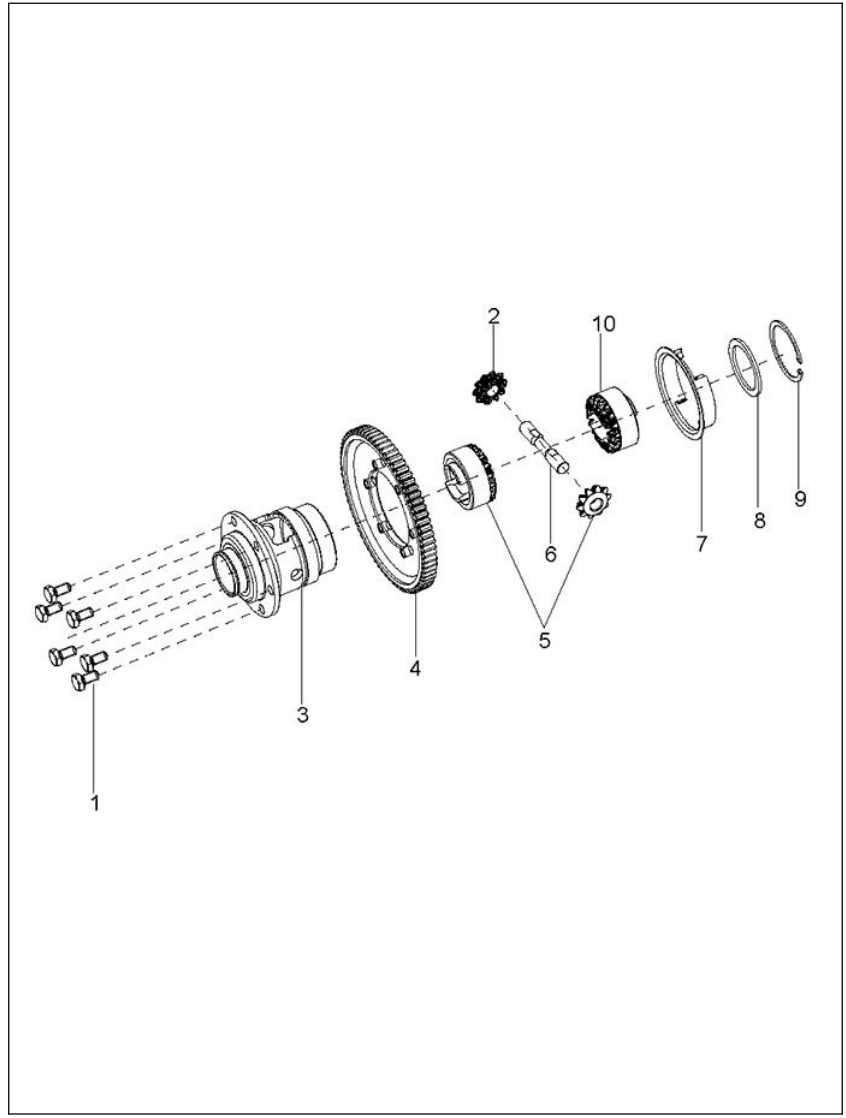


PLATE-5

COMPLETE DIFFERENTIAL GEAR

Fig. No.	Part No.	Description	Qty	Remarks
1	B016774	FLANGED HEXAGONAL SCREW M6X25	6	
2	132136R	GEAR SUN	3	
3	288730	DIFFERENTIAL CAGE	1	
4	1A008545	DIFFERENTIAL CROWN-CNG	1	
5	940028	GEAR SUN AND DIFFERENTIAL GEAR	1	
6	132129	PIN	1	
7	132244	STOPPER THK=1.0	1	
8	220575	WASHER 65X3	1	
9	132134	CIRCLIP	2	
10	940028	GEAR SUN AND DIFFERENTIAL GEAR	2	

PLATE-6
DIFFERENTIAL GEAR COVER WITH P.I.

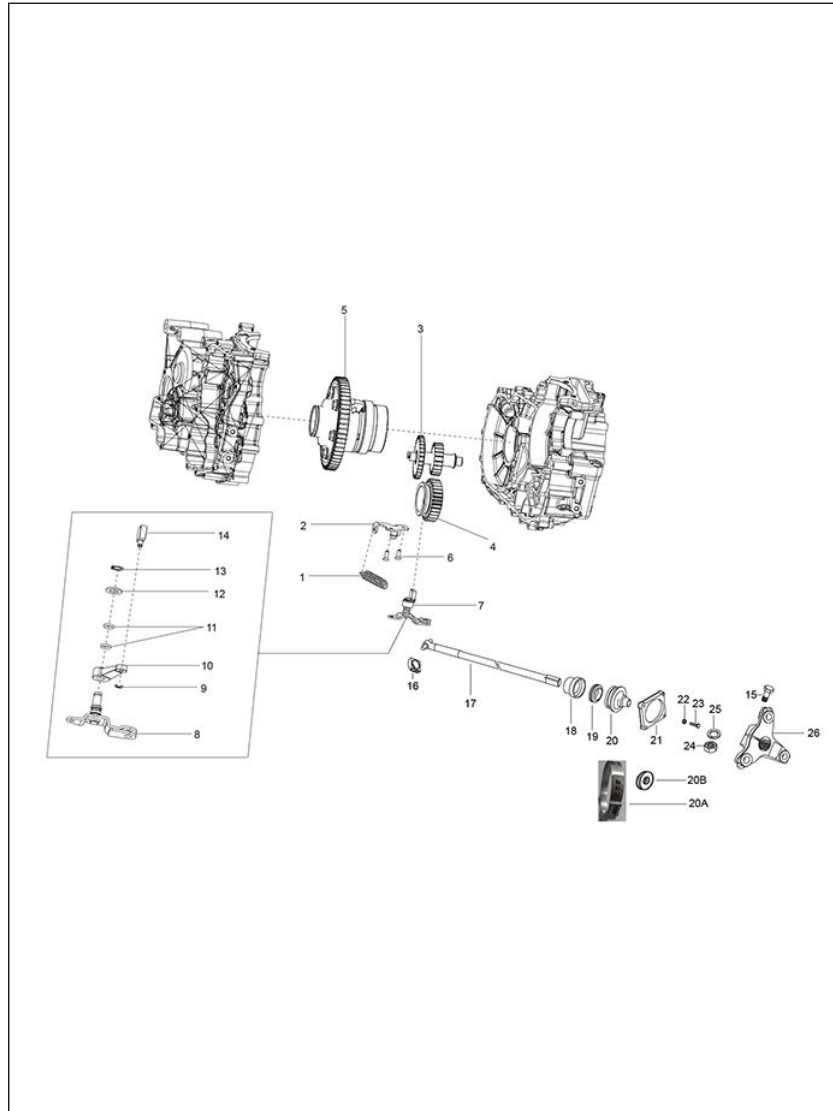


PLATE-6

DIFFERENTIAL GEAR COVER WITH P.I.

Fig. No.	Part No.	Description	Qty	Remarks
1	127111011	REVERSE GEAR SPRING	1	
2	1A008804	REVERSE CABLE REACTION BRACKET	1	
3	1A008547	REVERSE GEAR- CNG	1	
3	1A008547	REVERSE GEAR- CNG	1	
4	1A010632	SLIDING GEAR	1	common
5	SP1A009146	COMPLETE DIFFERENTIAL GEAR-CNG	1	common
6	1A016964	CSK PHILIPS HEAD SCREW	1	
7	SP1A012040	COMPLETE LEVER-SPD	1	
8	1A009093	INVERTER LEVER SECTOR WITH P.I.	1	
9	843000500	CIRCLIP DIA. 5 (EXT) TYPE C	1	
10	1A007605	GEAR SHIFTER LEVER	1	
11	1A005176	O- RING	2	
12	1A007501	PLANE WASHER	1	
13	006410	CIRCLIP	1	
14	1A007051	SLIDER	1	
15	B024614	HEX HEAD BOLT M10X45 CL 10.9	2	
16	112867R	SLIDER BLOCK PROP. SHAFT	4	
17	B078401	PROPELLER SHAFT S/A - MID BODY	2	
18	113278	BRACKET RETAINER RING (41736)	2	
19	183511	OIL RING	2	
20	198618P	BELLOW	2	
21	111356	COVER	2	
22	016406	SPRING WASHER	2	
23	31092	HEX. HD SCREW M6X25	2	
24	231370	SELF BREAKING NUT M10	2	
25	016410	SPRING WASHER	2	
26	111498	ELASTIC HUB	2	

PLATE-7
INTAKE FITTING - CARBURETOR

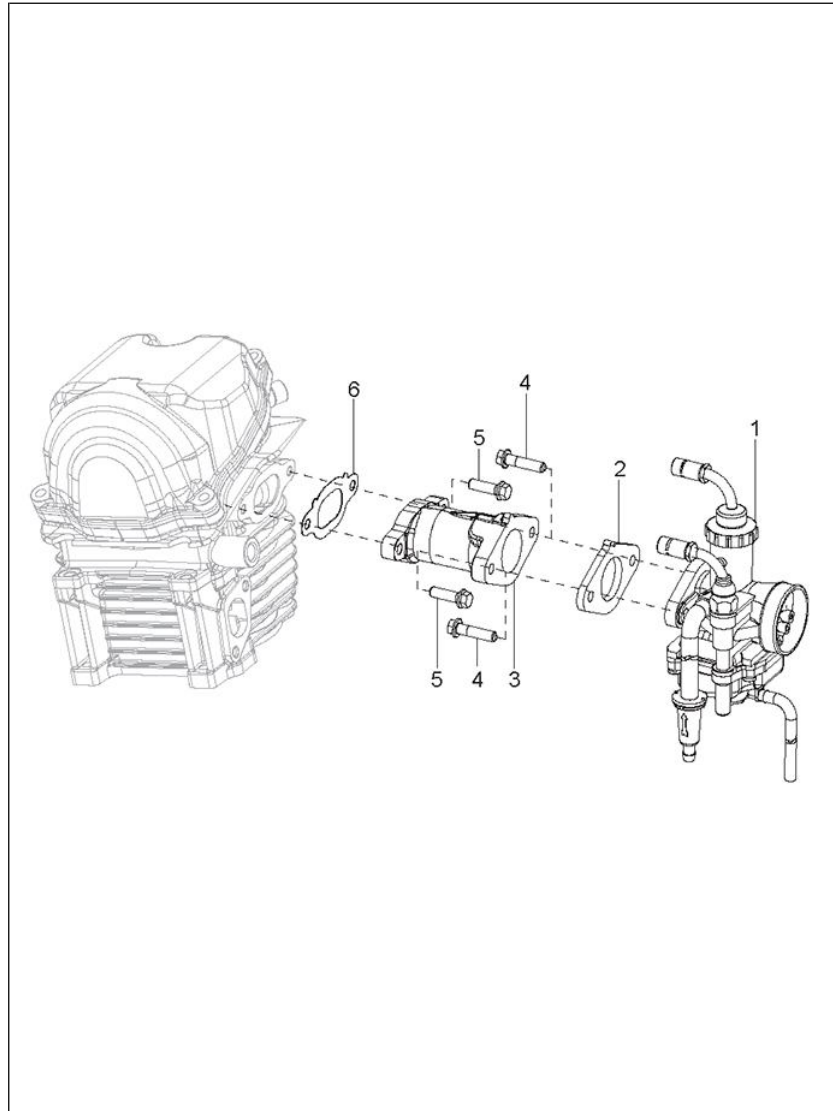


PLATE-7

INTAKE FITTING - CARBURETOR

Fig. No.	Part No.	Description	Qty	Remarks
1	CM284102	CARBURETOR-PTL	1	PTL
1	CM166110	CARBURETOR-LPG	1	LPG
1	CM166103	CARBURETOR UVD 22-CNG	1	CNG
2	B015543	COMPLETE INTAKE FITTING SUPPORT	1	PTL
2	B016016	INTAKE FITTING GASKET WITH O-RING	1	CNG,LPG
3	1A009632	INTAKE FITTING-PLT	1	
3	1A007409	INTAKE FITTING-LPG/CNG	1	
4	B016774	FLANGED HEXAGONAL SCREW M6X25	2	
5	018639	SCREW M6X20	2	
6	B018442	INTAKE FITTING GASKET	1	
7	1A010023	NEEDLE JET	1	PTL (NI)
8	1A010024	NEEDLE JET HOLDER	1	PTL (NI)
9	1A010025	PILOT SCREW	1	PTL (NI)
10	1A010026	PLANE WASHER	1	PTL (NI)
11	1A010088	MAXIMUM JET	1	PTL (NI)
12	1A010089	MINIMUM JET	1	PTL (NI)
13	1A010090	VALVE COMPLETE FLOAT	1	PTL (NI)
14	1A010091	COMPLETE FLOAT	1	PTL (NI)
15	1A010092	COMPLETE BODY FLOAT CHAMBER	1	PTL (NI)
16	1A010095	FLOAT CHAMBER GASKET	1	PTL (NI)
17	1A010096	SCREW DRAIN	1	PTL (NI)
18	1A010097	THROTTLE VALVE	1	PTL (NI)
19	1A010098	JET NEEDLE	1	PTL (NI)
20	1A010100	PISTON SPRING	1	PTL (NI)
21	1A010101	TOP COMPLETE-PTL	1	PTL (NI)
22	1A010102	STOP SCREW AND SPRING	1	PTL (NI)
23	1A011914	KIT STARTER DEVICE	1	PTL (NI)
24	1A015321	VALVE SEAT	1	LPG (NI)
25	CM167710	MAXIMUM JET 77.5	1	LPG (NI)
26	CM167804	PILOT JET	1	LPG (NI)
27	CM263603	CONIC NEEDLE	1	LPG (NI)
28	CM264702	KIT AIR SCREW	1	LPG (NI)
29	1A000542	STARTER KIT	1	CNG,LPG (NI)
30	B016822	FLOAT CHAMBER BODY ASSY KIT	1	CNG,LPG (NI)
31	B016823	FLOAT PIN	1	CNG,LPG (NI)

PLATE-7
INTAKE FITTING - CARBURETOR

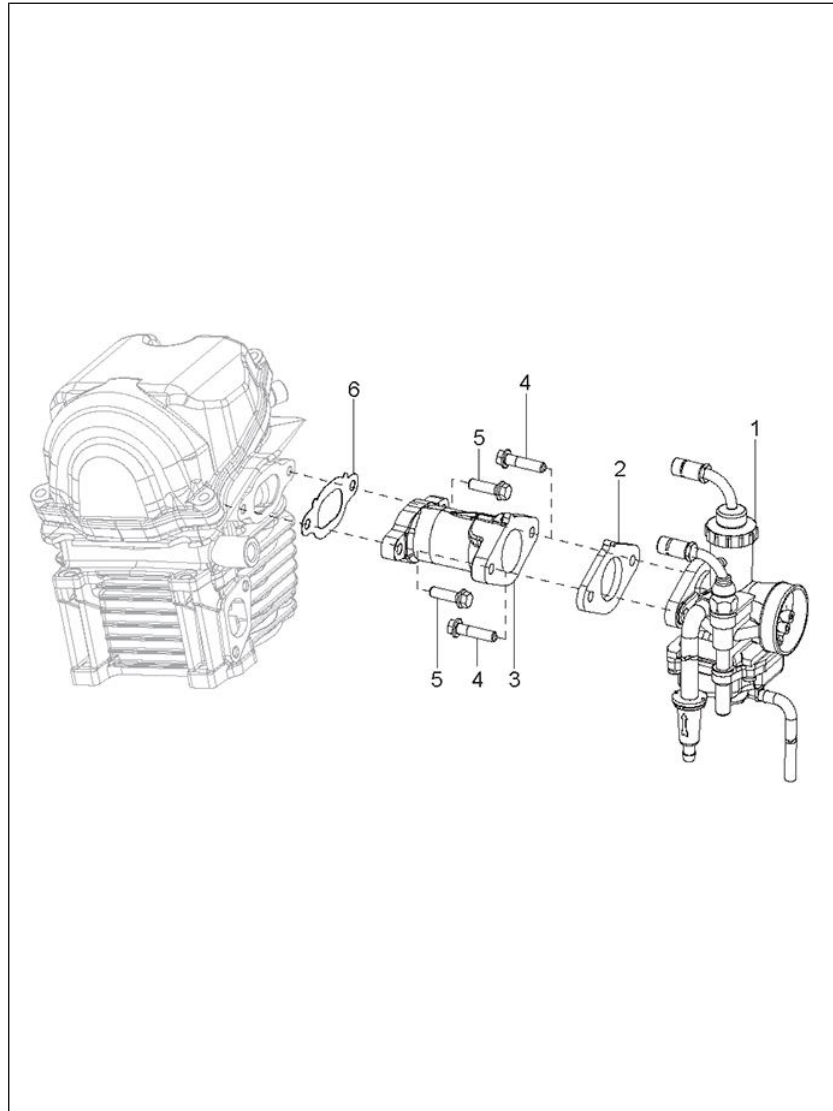


PLATE-7**INTAKE FITTING - CARBURETOR**

Fig. No.	Part No.	Description	Qty	Remarks
32	B016825	GAS VALVE COVER KIT	1	CNG,LPG (NI)
33	B016827	THROTTLE VALVE	1	CNG,LPG (NI)
34	B016828	IDLE ADJUSTER KIT	1	CNG,LPG (NI)
35	B016829	SPRING (PV)	1	CNG,LPG (NI)
36	B016834	FLOAT CHAMBER GASKET	1	CNG,LPG (NI)
37	B016869	CABLE ADJUSTER KIT	2	CNG,LPG (NI)
38	CM167902	DIFFUSER	1	CNG,LPG (NI)
39	B016824	STARTER DEVICE KIT	1	CNG (NI)
40	B017542	NEEDLE VALVE	1	CNG (NI)
41	CM167704	MAIN JET (CNG)	1	CNG (NI)
42	CM167802	PILOT JET (CNG/LPG)	1	CNG (NI)
43	CM263502	NEEDLE JET (CNG)	1	CNG (NI)
44	CM263602	JET NEEDLE (PETROL)	1	CNG (NI)
45	CM264701	AIR SCREW KIT	1	CNG (NI)

PLATE-8
AIR FILTER ASSEMBLY

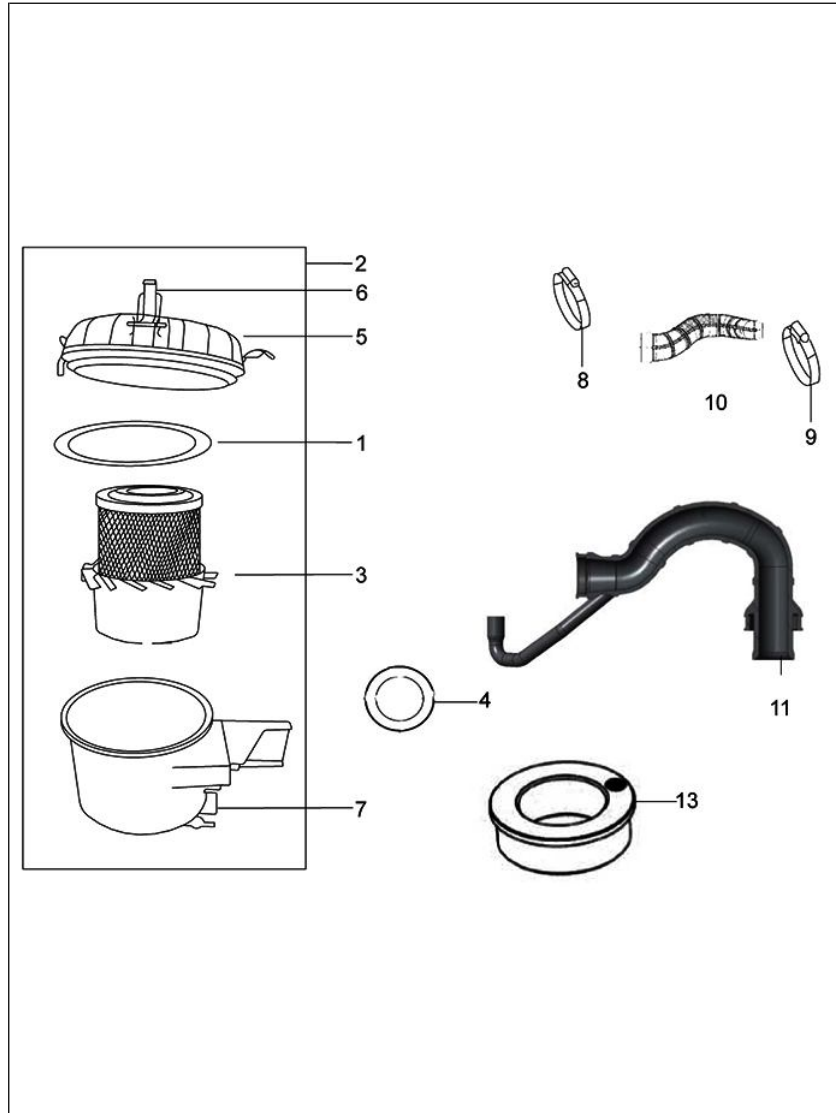


PLATE-8

AIR FILTER ASSEMBLY

Fig. No.	Part No.	Description	Qty	Remarks
1	940072	AIR FILTER COVER GASKET	1	
2	B075970	AIR FILTER ASSLY. (WITH MTG. BKT.) -PTL	1	COMMON
3	B076112	AIR FILTER ELEMENT	1	
4	1A009641	DAMPING RING	1	CNG/LPG
5	940069	AIR FILTER COVER-(UG)	1	
6	920088	CLAMP	3	
7	940071	DUST VALVE	1	
8	604553	WORM CLIP	1	
9	1A007152	HOSE CLAMP	1	
10	1A011716	SNORKEL AIRBOX	1	CNG/LPG
11	1A014489	CARBURATOR /AIR BOX COUPLING	1	PTL
12	6A000574	AIR RESTRICTOR	1	LPG
13	B041090	RESTRACOR FOR AIR FILTER-SNORKEL LPG	1	LPG

PLATE-9
COMPLETE CRANKCASE

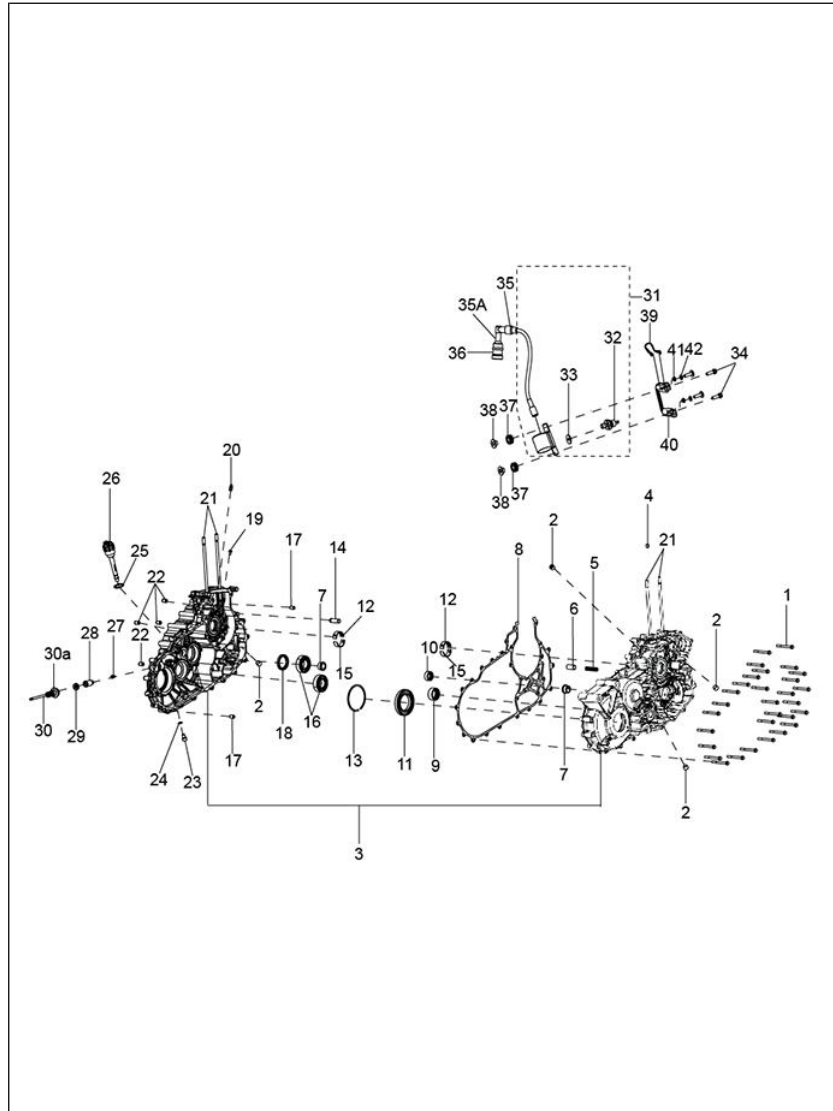


PLATE-9
COMPLETE CRANKCASE

Fig. No.	Part No.	Description	Qty	Remarks
1	432142	HEXAGONAL RANGE HEAD SCREW (M6X35)	30	
2	1A011246	TAPER THREAD PLUG	4	
3	SP1A007046	COMPLETE CRANKCASE- SPD	1	
4	1A007774	DOWEL	1	
5	485655	SPRING FOR OIL PRESSURE VALVE	1	
6	829661	OIL PRES.VALVE	1	
7	B042486	BUSH	2	
8	1A006856	HALF-CRANKCASES GASKET	1	
9	1A007028	ROLLER BEARING	1	
10	884222808	NEEDLE BUSH 22X28X12	1	
11	7066R	RADIAL BALL BEARING	1	
12	B015872	CRANKSHAFT STUB UPPER HALF BEARING	2	
13	111353	CIRCLIP	1	
14	878941	CONNECTION PIPE	1	
15	B015873	CRANKSHAFT STUB LOWER HALF BEARING	2	
16	1A007026	BALL BEARING	2	
17	B015592	REFERENCE DOWEL (D.9,5 H=15)	2	
18	1A002685	SEAL RING 35X47X6	1	
19	1A000612	RETAINER SCREW - PRE COATED	1	
20	1A008823	PISTON COOLING JET	1	
21	B014755	STUD SCREW	4	
22	1A000708	DOWEL (Ø7,5, H=12)	4	
23	269755	SOCKET HEAD SCREW (M8X12)	1	
24	485703	WASHER	1	
25	127016015	DIPSTICK SEALING WASHER	1	
26	112898	OIL LEVEL ARM WITH PLUG	1	Old
26	1A014592	OIL DIPSTICK	1	New aluminium clutch
27	165121014	PIN	1	
28	117401	BUSH	1	
29	117402	OIL SEAL	1	
30	1A010720	SPEEDOMETER GEAR	1	
30A	1A008559	BUSH (SPEEDOMETER GEAR)	1	
31	1A001794	COMPLETE H.T.COIL	1	
32	1D001138	MINIMUM PRESSURE OIL SWITCH	1	
33	1A011500	WASHER	1	

PLATE-9
COMPLETE CRANKCASE

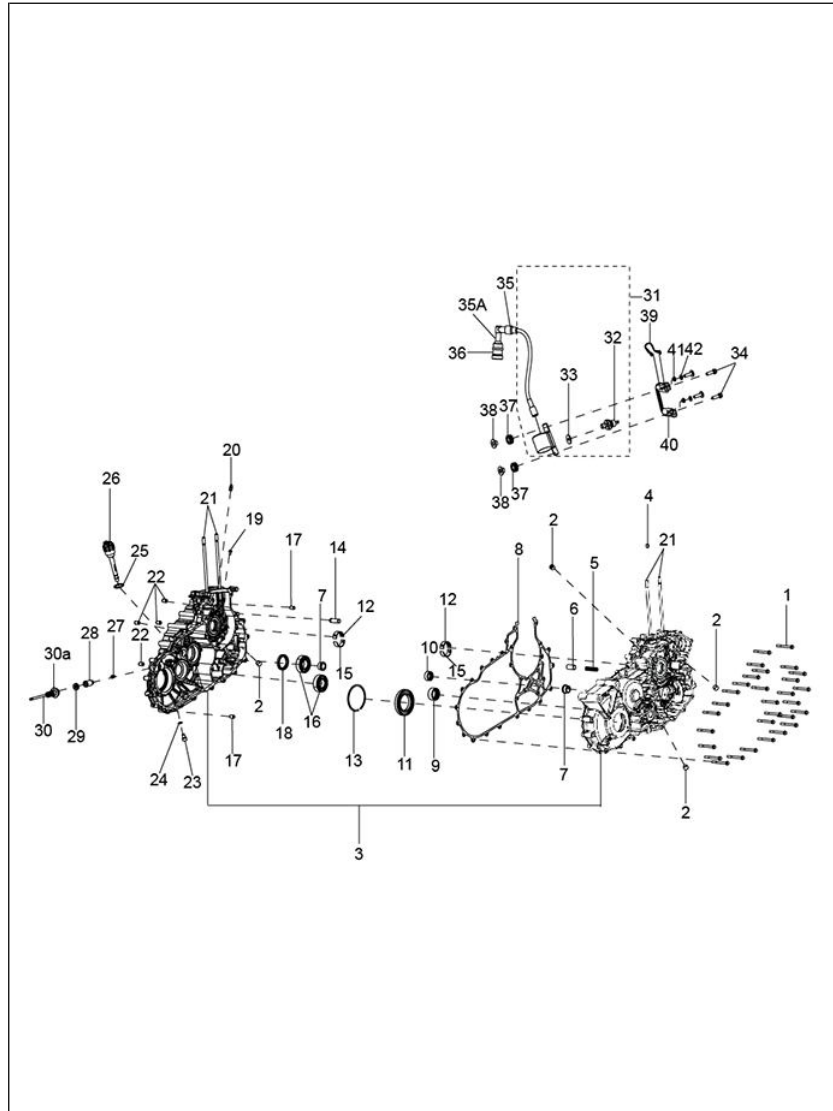


PLATE-9

COMPLETE CRANKCASE

Fig. No.	Part No.	Description	Qty	Remarks
34	018639	SCREW M6X20	2	
35	642537	PROTECTION CAP	1	
35A	643149	SPARK PLUG CAP	1	
36	1A001795	SPARK PLUG PROTECTION COLLAR	1	
37	B014063	BUFFER DAMPER	2	
38	B014066	SPACER	2	
39	643156	GROUND WIRE	1	
40	B016552	COIL SUPPORT BRACKET WITH I.P.	1	
41	872816	FLANGED NUT	2	
42	013880	PLAIN WASHER	2	

PLATE-10
GEAR SHIFTER AND CONTROL MECHANISM

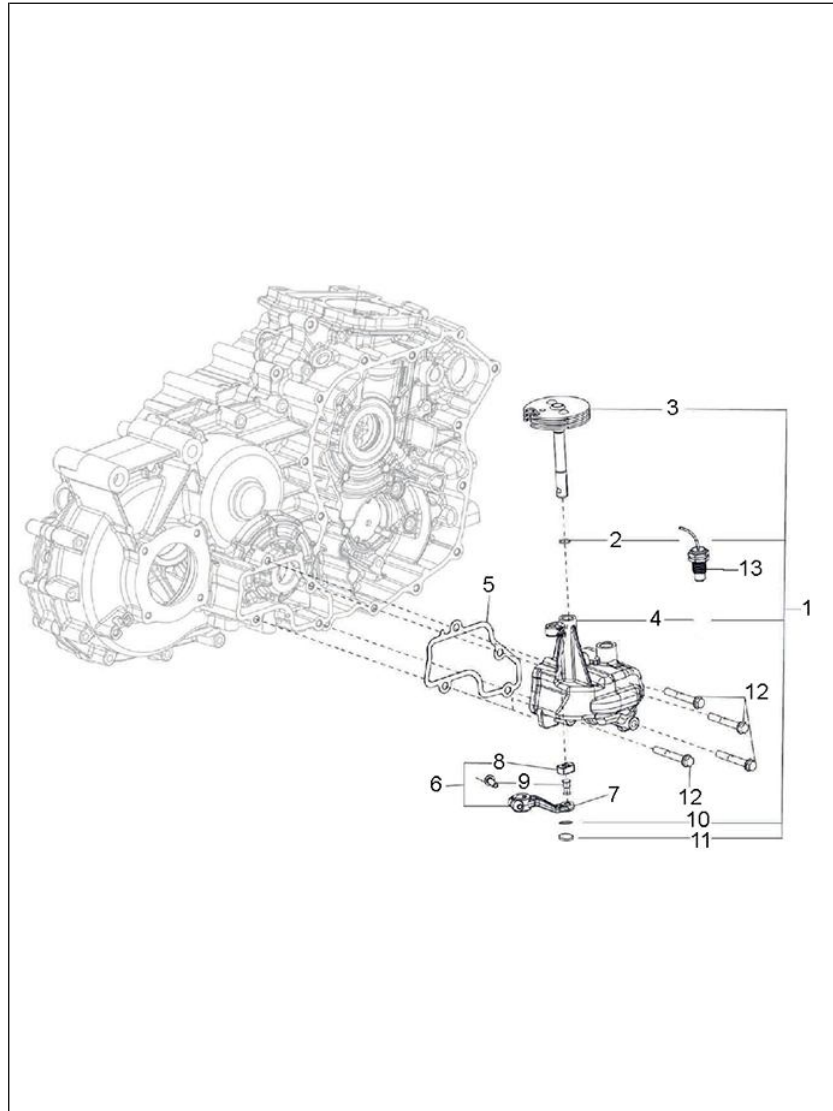


PLATE-10

GEAR SHIFTER AND CONTROL MECHANISM

Fig. No.	Part No.	Description	Qty	Remarks
1	SP1A011650	COMPLETE GEAR SHIFTER ASSY	1	
2	1A005178	O- RING	1	
3	1A010035	COMPLETE SECTOR WITH SHAFT	1	
4	1A012182	GEAR SHIFTER HOUSING	1	
5	1A012334	CLUTCH COVER GASKET	1	
6	SP1A012040	COMPLETE LEVER-SPD	1	
7	1A012039	GEAR SHIFT LEVER	1	
8	1A010187	SLIDER BLOCK	1	
9	1A012011	PIN	1	
10	009101	SEEGER RING	1	
11	1A006701	LOCK WASHER	1	
12	1A003060	FLANGED HEX. HEAD SCREW M6X45	4	
13	1A010016	NEUTRAL SWITCH	1	

PLATE-11
CYLINDER HEAD WITH I.P.

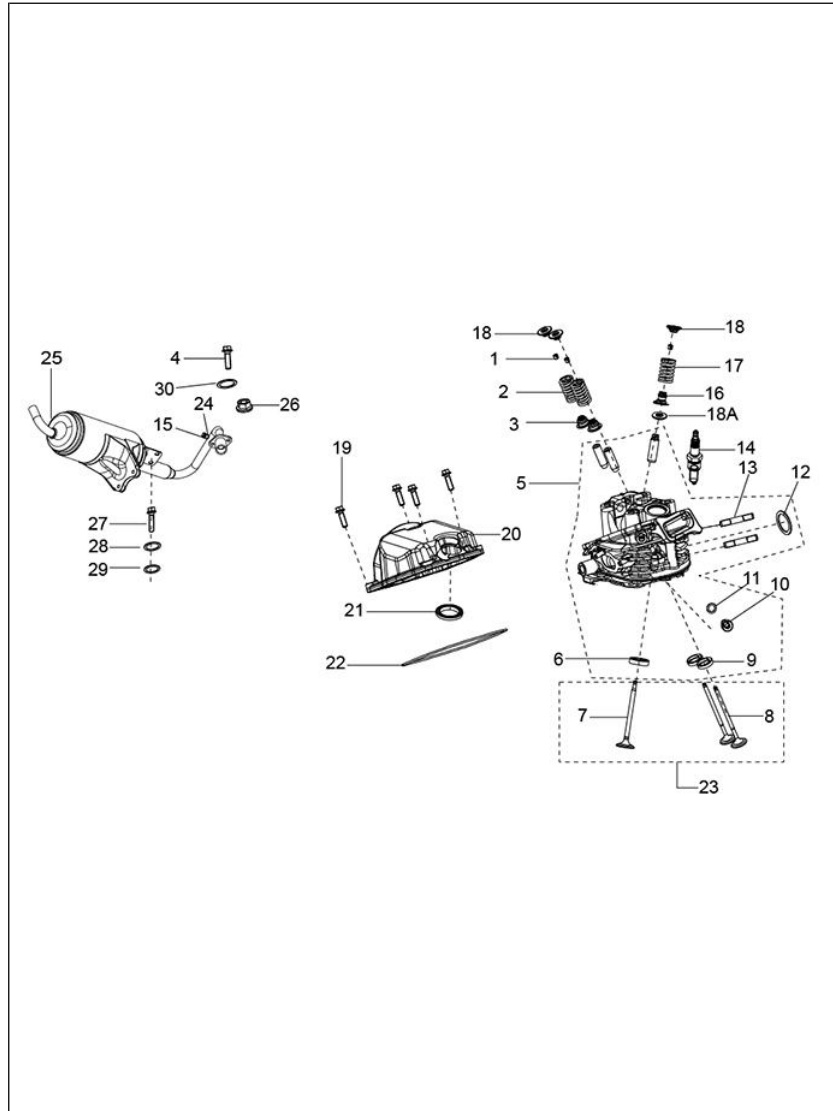


PLATE-11
CYLINDER HEAD WITH I.P.

Fig. No.	Part No.	Description	Qty	Remarks
1	B015288	HALF-CONE	3	
2	B014706	VALVE SPRING (INTAKE)	2	
3	83053R	VALVE SEAL RING	2	
4	31089	HEX HEAD SCREW M6X18 CL 8.8	2	
5	SP1A012928	CYLINDER HEAD ASSY	1	
6	B017336	EXHAUST VALVE SEAT	1	
7	B017438	EXHAUST VALVE Ø22	1	
8	B014684	INTAKE VALVE Ø20	2	
9	B017230	INTAKE VALVE SEAT	2	
10	269755	SOCKET HEAD SCREW (M8X12)	1	
11	485703	WASHER	1	
12	434716	CYLINDER HEAD/MUFFLER GASKET	1	
13	B016368	SPECIAL STUD	2	
14	643367	SPARK PLUG	1	
15	433122	SCREW M10X6	1	
16	83054R	VALVE SEAL RING	1	
17	B014705	VALVE SPRING (EXHAUST)	1	
18	B017456	UPPER CUP	3	
18A	483711	LOWER CUP	1	
19	1A002691	FLANGED HEX HEAD SCREW M6X20 CL10	4	
20	1A006545	HEAD COVER	1	
21	B014732	SPARK PLUG HOLE GASKET	1	
22	B018533	CYLINDER HEAD COVER GASKET	1	
23	KIT1U000020	SET OF VALVES	1	
25	1A015723R	COMPLETE SILENCER-CNG	1	ECN No. 500000255565
25	1A015696	COMPLETE MUFFLER FOR BSIV PTL	1	
25	1A015720R	COMPLETE MUFFLER FOR BSIV LPG	1	
26	436947	FLANGED NUT M7X1 H=8	2	
27	30074	HEX HEAD BOLT M8 X 40 CL 8.8	2	
28	016408	SPRING WASHER	2	
29	003056	PLAIN WASHER	2	
30	016406	SPRING WASHER	2	

PLATE-12
CRANKSHAFT ASSEMBLY

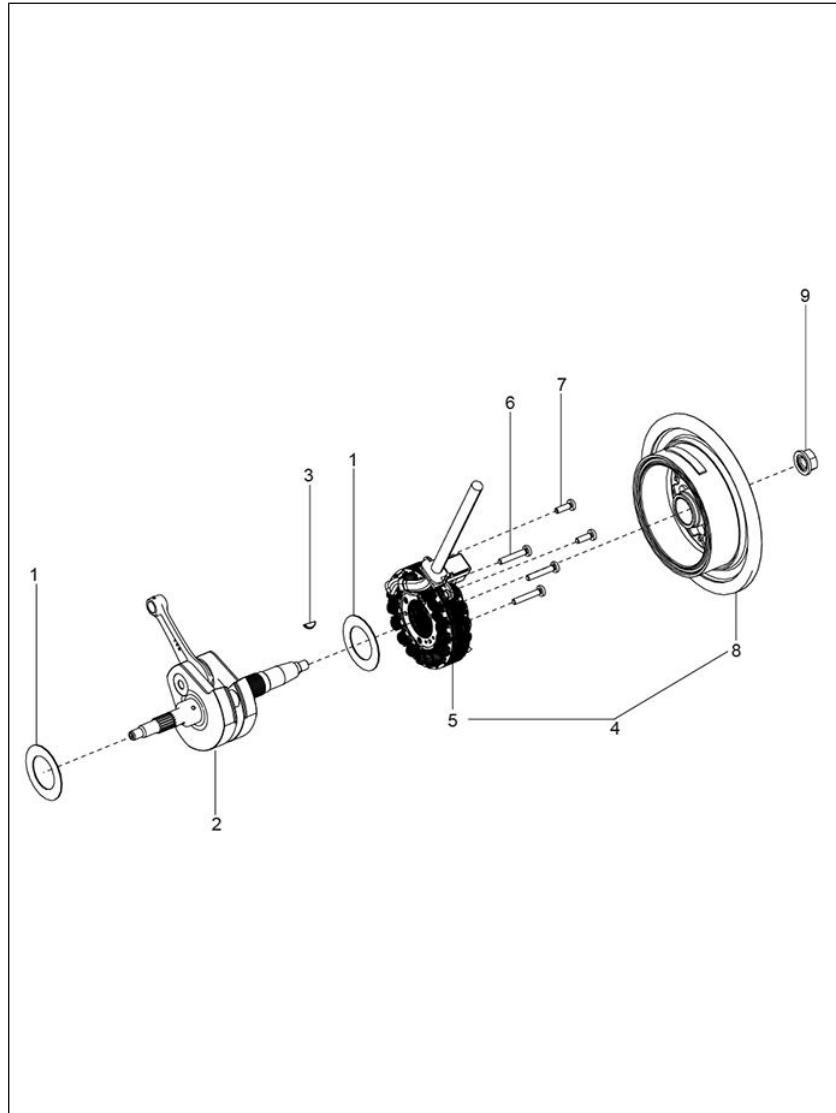


PLATE-12
CRANKSHAFT ASSEMBLY

Fig. No.	Part No.	Description	Qty	Remarks
1	B016144	WASHER	2	
2	1A011066	CRANKSHAFT ASSEMBLY	1	
3	000267	WOODRUFF KEY	1	
4	1D001847	COMPLETE A.C.GENERATOR	1	
5	1D001846	COMPLETE STATOR	1	
6	1A013159	TORX HEAD SCREW M5X22	3	
7	1A001073	TORX HEAD SCREW M5X16	2	
8	1A008672	ROTAR ASSY WITH HUB	1	
9	1A006988	NUT WITH SPRING WASHER	1	

PLATE-13
AIRCOOLING CIRCUIT COMPONENTS

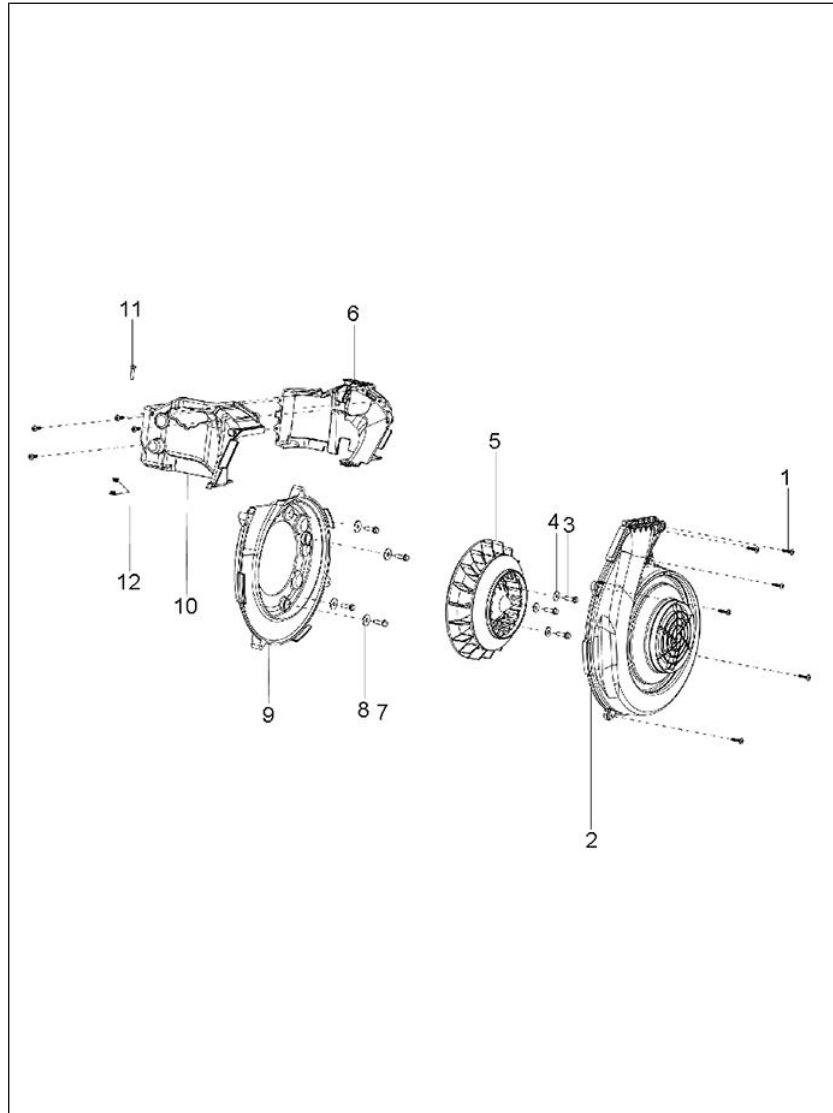


PLATE-13

AIRCOOLING CIRCUIT COMPONENTS

Fig. No.	Part No.	Description	Qty	Remarks
1	1A000024	SELF TAPPING SCREW (3X20)	10	
2	1A010001	FAN COVER	1	
3	1A002691	FLANGED HEX HEAD SCREW M6X20 CL10	3	
4	B019047	WASHER	3	
5	1A000831	ASSY FAN	1	
6	1A006740	SHROUD EXHAUST SIDE	1	
7	018639	SCREW M6X20	4	
8	B016192	WASHER 6.2X20X2	4	
9	1A006742	FAN COVER SUPPORT	1	
10	1A006743	COMPLETE SHROUD INTAKE SIDE	1	
11	B016620	SCREW WITH CYLINDRICAL HEAD M5X21	1	
12	B018262	KNURLED BUSH	2	

PLATE-14
TIMING GROUP

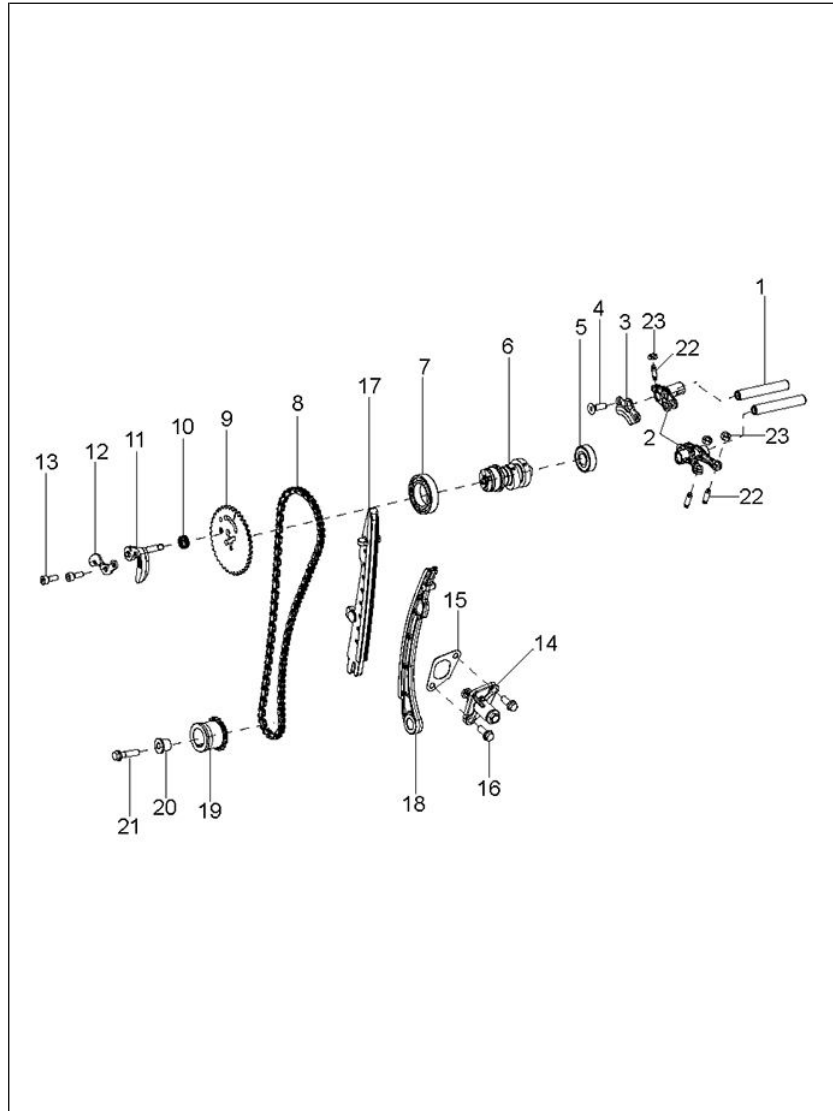


PLATE-14
TIMING GROUP

Fig. No.	Part No.	Description	Qty	Remarks
1	B017113	ROCKER ARM SHAFT	2	
2	1A013013	ROCKER ARM GROUP	1	
3	B014760	CAMSHAFT CONTAINMENT SHEET-STEEL	1	
4	B018946	COUNTERSUNK SCREW M6X18	1	
5	83040R	DEEP GROOVE BALL BEARING	1	
6	B017746	CAMSHAFT WITH I.P.	1	
7	83041R	DEEP GROOVE BALL BEARING	1	
8	1A015692	TIMING CHAIN SOUNDLESS TYPE	1	
9	1A002358	TIMING CROWN	1	
10	B015483	DECOMPRESSION SPRING	1	
11	SP1A006405	CENTRIFUGAL MASS WITH I.P.	1	
12	1A008397	CENTRIFUGAL MASS CONTAINMENT SHEET	1	
13	B018718	EXAG. SOCKET CYLIND.HEAD SCREW M5X14	2	
14	B017165	CHAIN TENSIONER DEVICE	1	
15	847928	CHAIN SUPPORT GASKET	1	
16	434541	SCREW	2	
17	1A006899	FIXED PAD	1	
18	1A006901	CHAIN TIGHTENING ROD	1	
19	1A007565	TIMING PINION	1	
20	485868	SPACER FOR CHAIN TIGHTNING ROD	1	
21	B016774	FLANGED HEXAGONAL SCREW M6X25	1	
22	B017323	VALVE ADJUSTMENT SCREW	3	
23	B017431	ROCKER ARM NUT	3	

PLATE-15
CYLINDER- PISTON GROUP

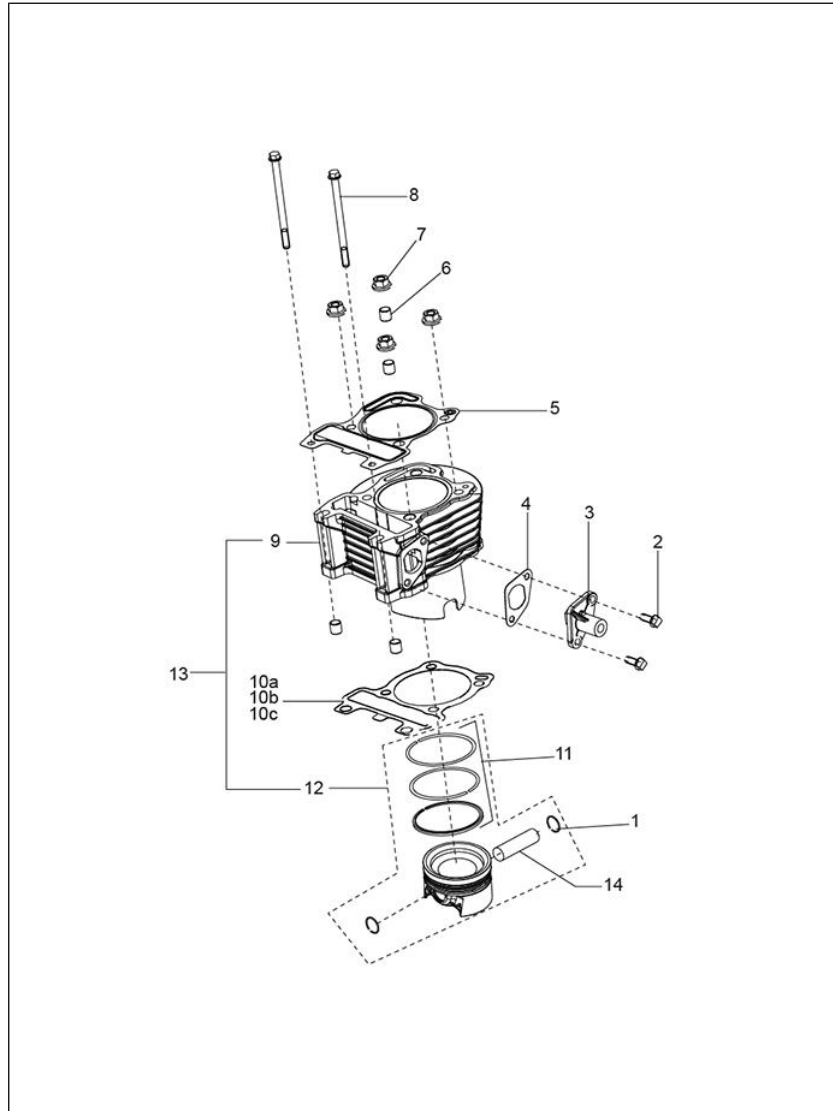


PLATE-15
CYLINDER- PISTON GROUP

Fig. No.	Part No.	Description	Qty	Remarks
1	963486	CIRCLIP FOR PISTON WRIST	2	
2	434541	SCREW	2	
3	B017165	CHAIN TENSIONER DEVICE	1	
4	847928	CHAIN SUPPORT GASKET	1	
5	B014555	HEAD CYLINDER GASKET	1	
6	435571	REFERENCE DOWEL	4	
7	844719	FLANGED NUT M8X1.25	4	
8	B018854	HEXAGONAL HEAD FLANGED SCREW M6X90	2	
9	NS	NOT SERVICEABLE	1	Not serviceable
10a	CM284001	CRANKCASE/CYLINDER GASKET (0.4)	1	
10b	CM284002	CRANKCASE/CYLINDER GASKET (0.6)	1	
10c	CM284003	CRANKCASE/CYLINDER GASKET (0.8)	1	
11	1A009621R	PISTON RING GROUP	1	
12	KIT96041R	BLOCK PISTON KIT APE CITY 230 CC	1	
13	KIT96042R	PISTON ASSY APE CITY 230 CC	1	
14	482335	PISTON PIN	1	

PLATE-16
ELECTRIC STARTING GROUP

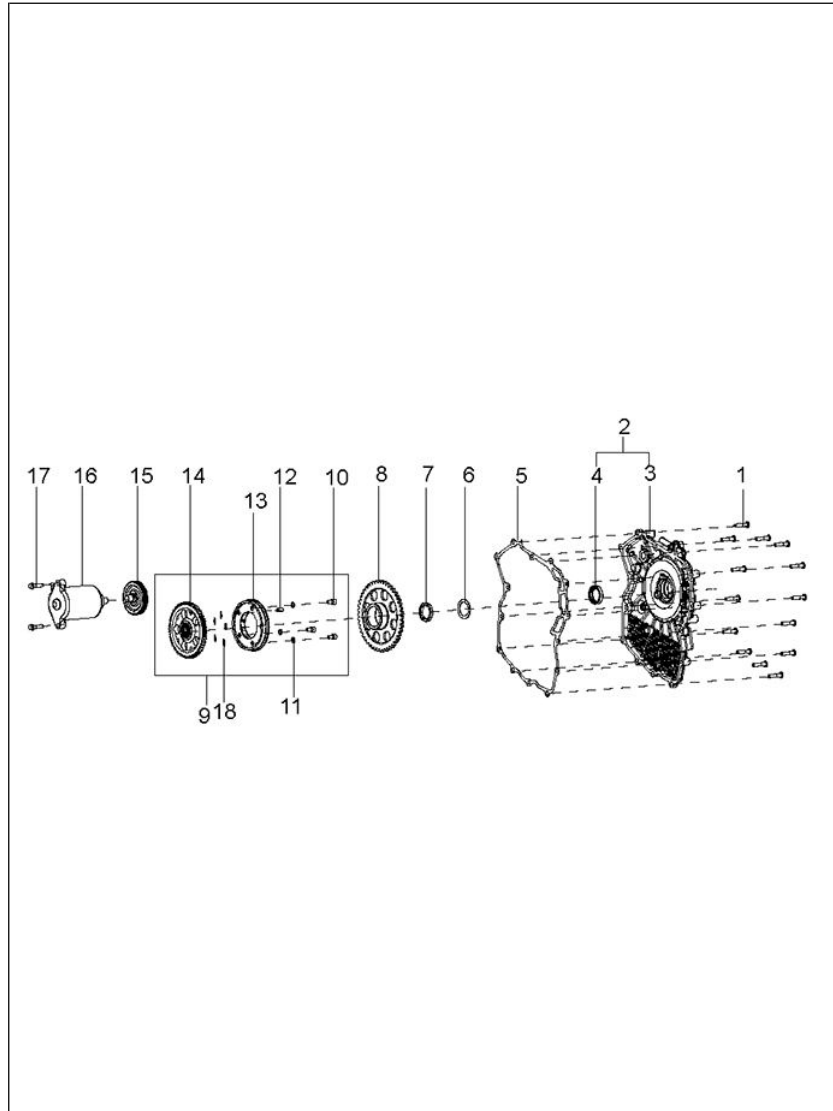


PLATE-16
ELECTRIC STARTING GROUP

Fig. No.	Part No.	Description	Qty	Remarks
1	B018853	FLANGED HEXAGONAL HEAD SCREW M6X30	14	
2	SP1A007045	STARTER COVER WITH I.P.	1	
3	1A006751	STARTER COVER	1	
4	B016120	SEAL RING 25X35X7	1	
5	1A006858	STARTER COVER GASKET	1	
6	B016148	WASHER	1	
7	B016147	RING NUT	1	
8	1A001187R	TOOTHED CROWN ELECTRIC STARTER	1	
9	1D001846	COMPLETE STATOR	1	
10	1A000402	SOCKET HEAD SCREW	3	
11	B019420	CONICAL SPRING KNURLED WASHER	3	
12	1A000742	ELASTIC PIN	1	
13	1A010696R	ONE WAY CLUTCH	1	
14	1A008715	CUM CLUTCH HUB	1	
15	B017189	ELECTRIC STARTER INTERMED GEAR WITH P.I.	1	
16	1D000425R	STARTER MOTOR	1	
17	B016774	FLANGED HEXAGONAL SCREW M6X25	2	
18	1A002661	PLANE SPRING - CLUTCH ASSY	5	Ducati one way clutch
18	1A014399	ONE WAY CLUTCH SPRING	5	Texspin one way clutch
19	1A009586	REAR BRACKET ASSY	1	NI
20	1A009587	BRUSH ASSLY KIT (+VE & -VE)	1	NI
21	1A009588	ARMATURE ASSLY	1	NI
22	1A009589	YOKE ASSLY	1	NI
23	1A009590	FRONT BRACKET ASSLY	1	NI
26	1A009593	THRUST WASHER KIT	1	NI
24	1A009591	HEXAG. HEAD SCREW	1	NI
25	1A009592	O-RING KIT	1	NI

PLATE-17
GEAR GROUP

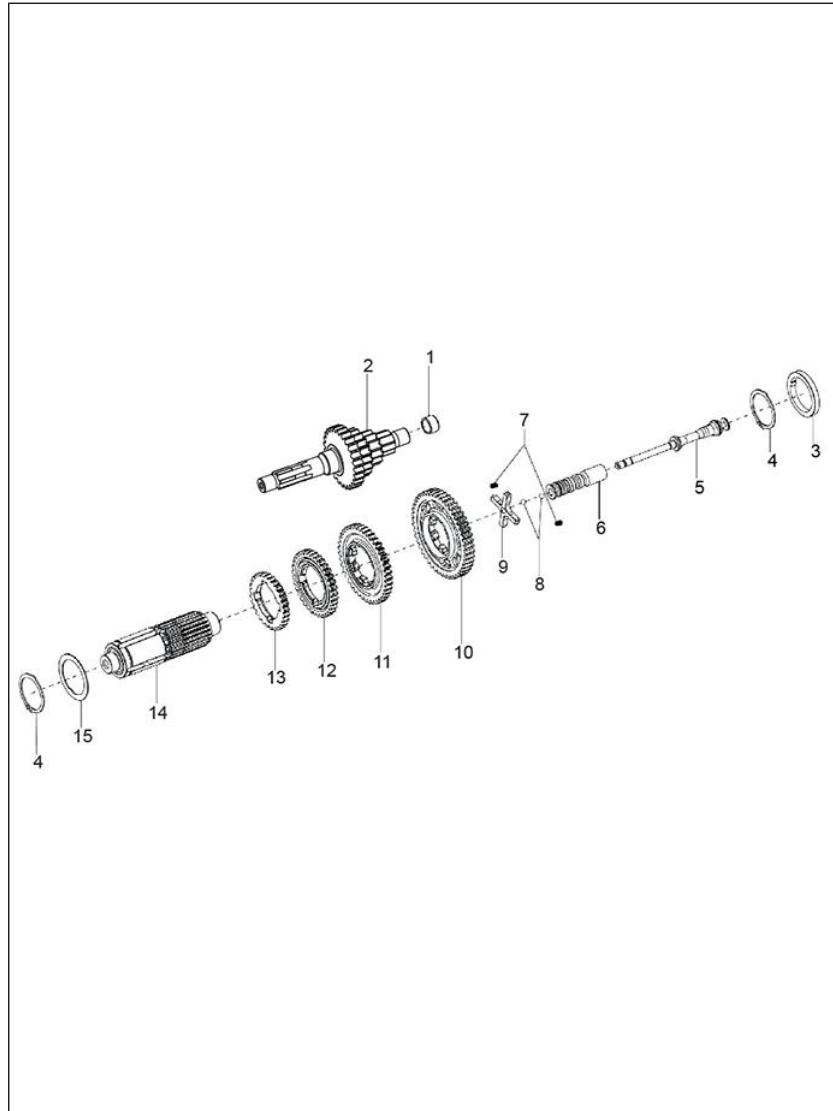


PLATE-17
GEAR GROUP

Fig. No.	Part No.	Description	Qty	Remarks
1	122032014	INNER RING - CLUSTER GEAR	1	
2	1A013046	CLUSTER GEAR	1	
3	1A007029	LOCK WASHER	1	
4	009101	SEEGER RING	1	
5	1A012181	STEM	1	
6	1A012846	BUSH GEAR SHIFTER	1	
7	1A006970	SPRING	2	
8	002139	BALL	2	
9	1A010166	CROSS	1	
10	1A011286	SPEED GEAR 1ST	1	
11	1A011287	SPEED GEAR 2ND	1	
12	1A011288	SPEED GEAR 3RD	1	
13	1A011289	SPEED GEAR 4TH	1	
14	1A011341	SECONDARY GEAR SHAFT	1	
15	1A006115	LOCK WASHER	1	

PLATE-18
ENGINE SUPPORT

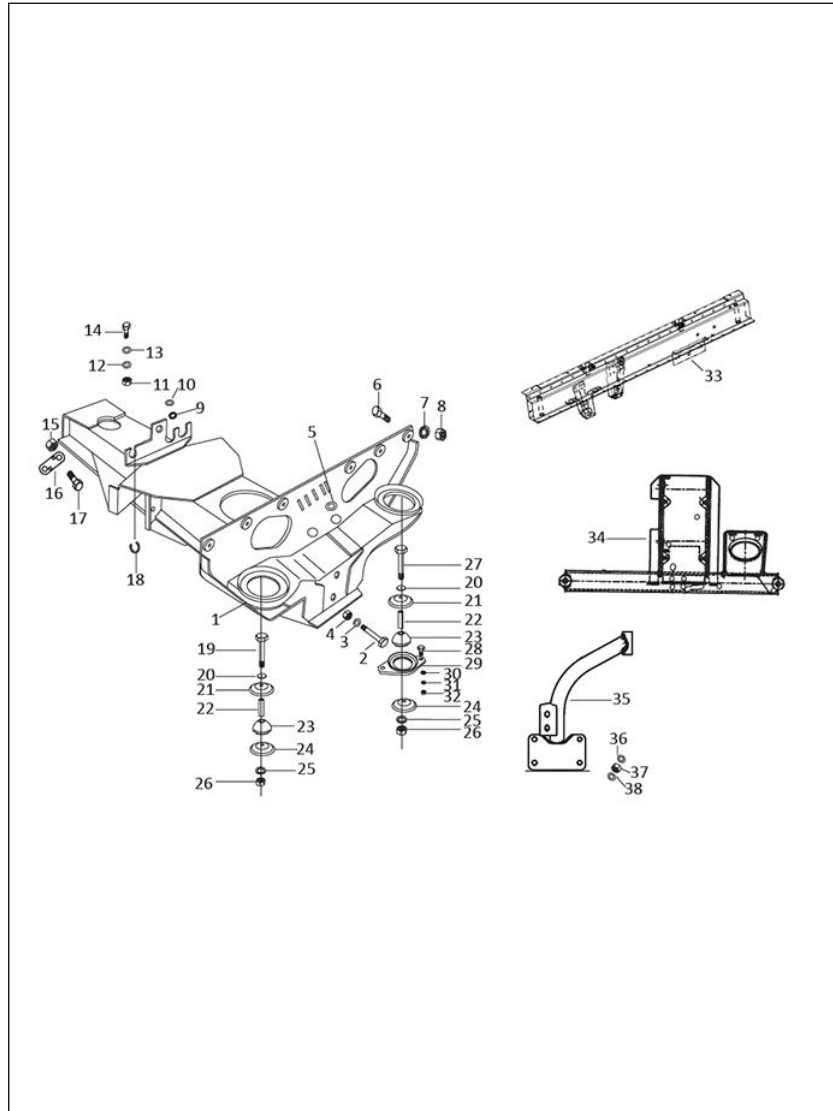


PLATE-18
ENGINE SUPPORT

Fig. No.	Part No.	Description	Qty	Remarks
1	587576R	FRAME ASSLY. SUS. AND ENGINE SUPPORT	1	
2	568689	HEX HEAD BOLT M10X100	2	
3	286328	PLAIN WASHER 20X10.2X2	2	
4	231370	SELF BREAKING NUT M10	2	
5	15478	GROMMET4	2	
6	31119	HEX HD SCREW M8 X 25	6	
7	016408	SPRING WASHER	6	
8	020108	HEXAGONAL NUT	6	
9	178610	GROMMET	1	
10	016406	SPRING WASHER	2	
11	020108	HEXAGONAL NUT	2	
12	016408	SPRING WASHER	2	
13	002383	PLAIN WASHER M20X8.5X2	2	
14	31119	HEX HD SCREW M8 X 25	2	
15	231370	SELF BREAKING NUT M10	2	
16	108834	PLATE	2	
16	632299	PLATE	1	
17	632247	HEX HDD SCREW M10X30 CC8.8	2	
18	568140	GROMMET	1	
19	604948	HEX.HDD BOLT M8 X 110 WITH POINTING	2	
20	002383	PLAIN WASHER M20X8.5X2	3	
21	569375	PLATE	3	
22	569241	SPACER	2	
23	265091	DUMPER ENGINE MTG.	2	
24	569244	PLATE	3	
25	016408	SPRING WASHER	3	
26	15335	HEX HD NUT M8	2	
27	272178	HEX. HDD BOLT M8 X 122 CL 10.9	1	
28	31154	HEX HDD SCREW M10X22 CL 8.8	2	
29	B003286	REAR AVM SUPPORT BKT. ASSY.	1	
30	286328	PLAIN WASHER 20X10.2X2	2	
31	016410	SPRING WASHER	2	
32	020108	HEXAGONAL NUT	4	
33	6A000105	CROSS MEMBER SUB-ASSY	1	
34	B075459	FRT CROSS MEMBER ASSY. ENG. MTG.	1	

PLATE-18
ENGINE SUPPORT

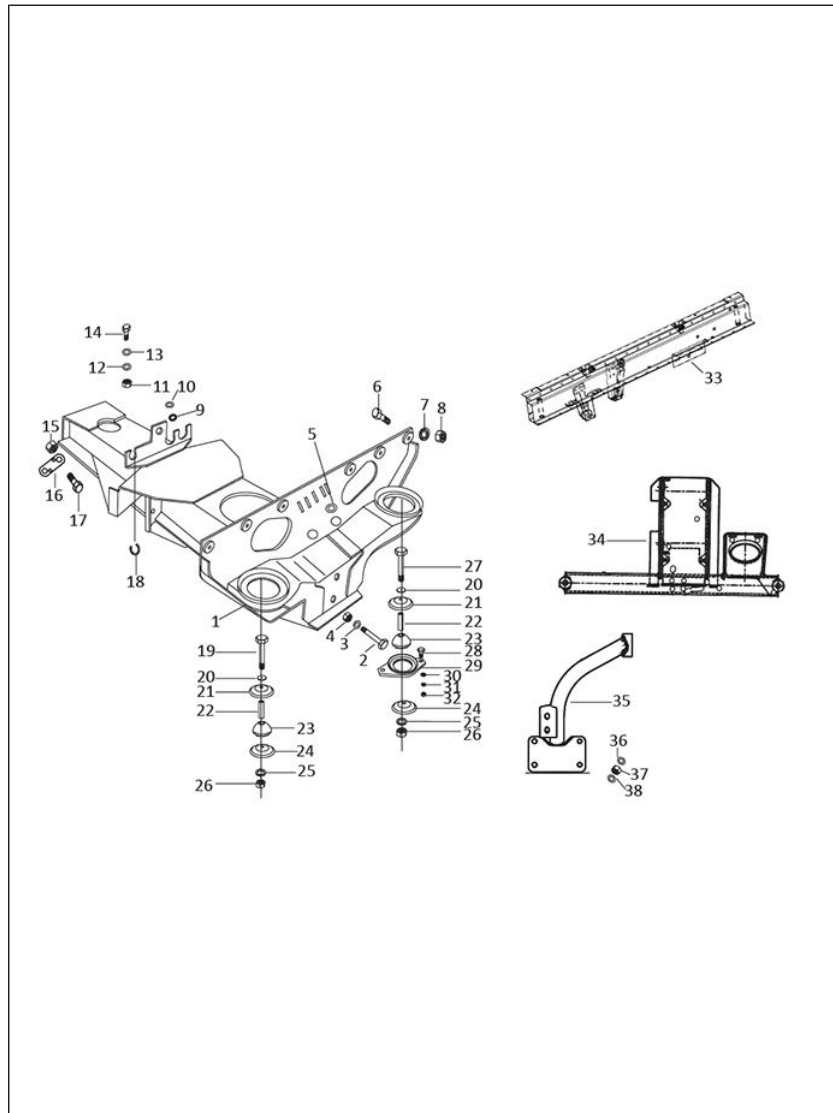


PLATE-18
ENGINE SUPPORT

Fig. No.	Part No.	Description	Qty	Remarks
35	B075593	BKT SUB ASSLY ENGINE SUPPORT REAR	1	
36	286328	PLAIN WASHER 20X10.2X2	2	
37	20110	HEX NUT M10	4	
38	016410	SPRING WASHER	2	
39	B076295	PROTECTION BELLOW- GEAR CABLE	1	NI

PLATE-19
FUEL TANK/FILTER/FUEL PIPES - PETROL

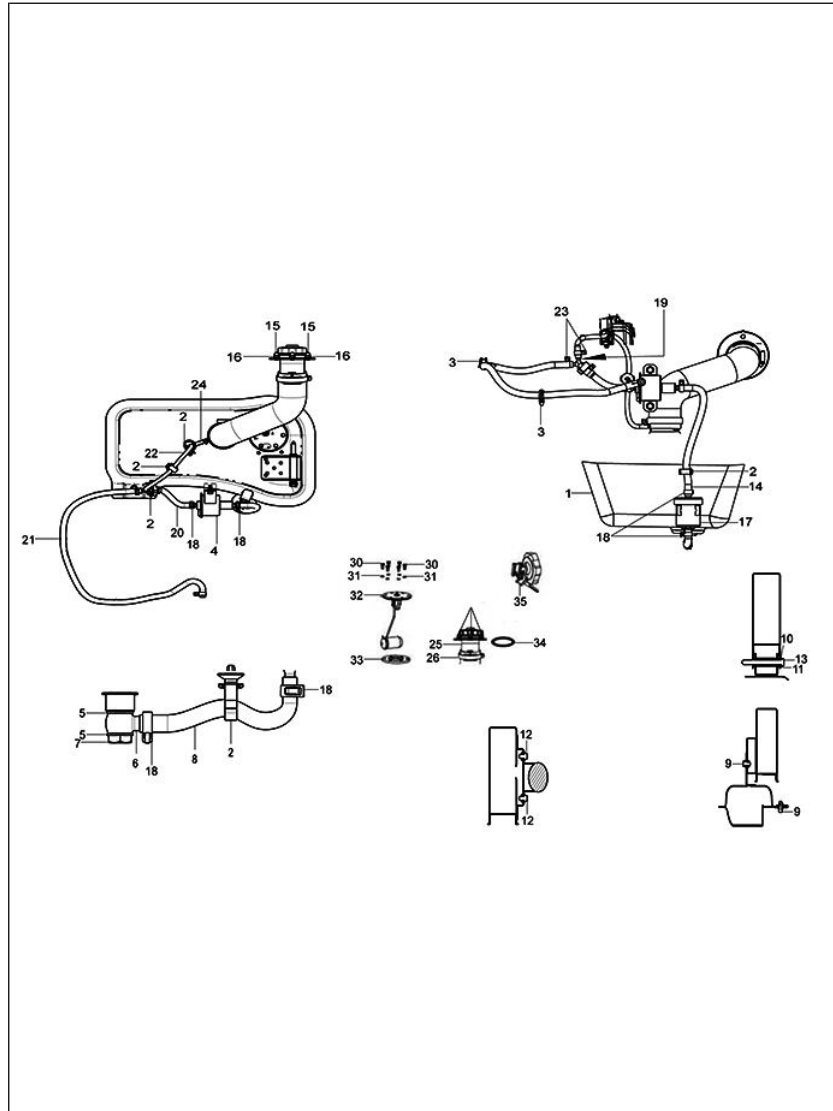


PLATE-19

FUEL TANK/FILTER/FUEL PIPES - PETROL

Fig. No.	Part No.	Description	Qty	Remarks
1	6A000578	ASSY FUEL TANK WITH TANK UNIT	1	
2	B076007	PIPE CLIP 1 WAY	5	
3	216369	CLAMP	2	
4	B002630	ELECTRICAL FEED PUMP LGA 280 PETROL ENGI	1	
5	224644	COPPER WASHER M10	2	
6	604909	BANJO BOLT (M14X1.5)	1	
7	616738R	FUEL FILTER	1	
8	B079057	FUEL PIPE-FUEL TANK TO FUEL FILTER	1	
9	645036	HEX HEAD SCREW M8 X 20 CL. 8.8 W/SP, PL	2	
10	808000826	PLAIN WASHER M8	1	
11	16408	SPRING WASHER M8	1	
12	D9166140616	BOLT, W/WASHER	2	
13	6A000143	HEX HEADED SCREW WITH PARTIALLY THREADED	1	
14	6A000556	FUEL PIPE-FUEL FILTER TO FEED PUMP	1	
15	3055	RAW WASHER(808000527)	3	
16	568713	DOME NUT	3	
17	616738	FUEL FILTER - LGA 280 PETROL ENGINE	1	
18	632109	HOSE CLAMP BRAKE PIPE	7	
19	644824	THREE WAY 'Y' CONNECTOR - CNG/LPG	1	
20	B076749	FUEL PIPE FEED PUMP TO Y- CONNECTOR	1	
21	B079091	FUEL PIPE, FEED PUMP TO CARBURATOR	1	
22	B079086	FUEL PIPE, Y-CONNECTOR TO TANK RETURN	1	
23	662571	HOSE CLAMP	2	
24	B003282	HOSE CLIP (DIA.7) (PETROL & CNG/LPG)	1	
25	B078821	ASSY TUBE FUEL TANK FILLER	1	
26	B041853	HOSE CLIP (SIZE : 65A)	2	
27	3055	RAW WASHER(808000527)	3	
28	16405	SPRING WASHER M5	3	
29	568713	DOME NUT	3	
30	31056	HEX HEAD SCREW M5 X 12 CL. 8.8	5	
31	16405	SPRING WASHER M5	5	
32	6D000010	TANK UNIT	1	
33	925888	RUBBER GASKET FOR TANK UNIT	1	
34	644299	COLLAR	1	
35	B024168	P.T.CAP ASSLY WITH KEY	1	

PLATE-20
WIND SHIELD/GLASS/BEADING

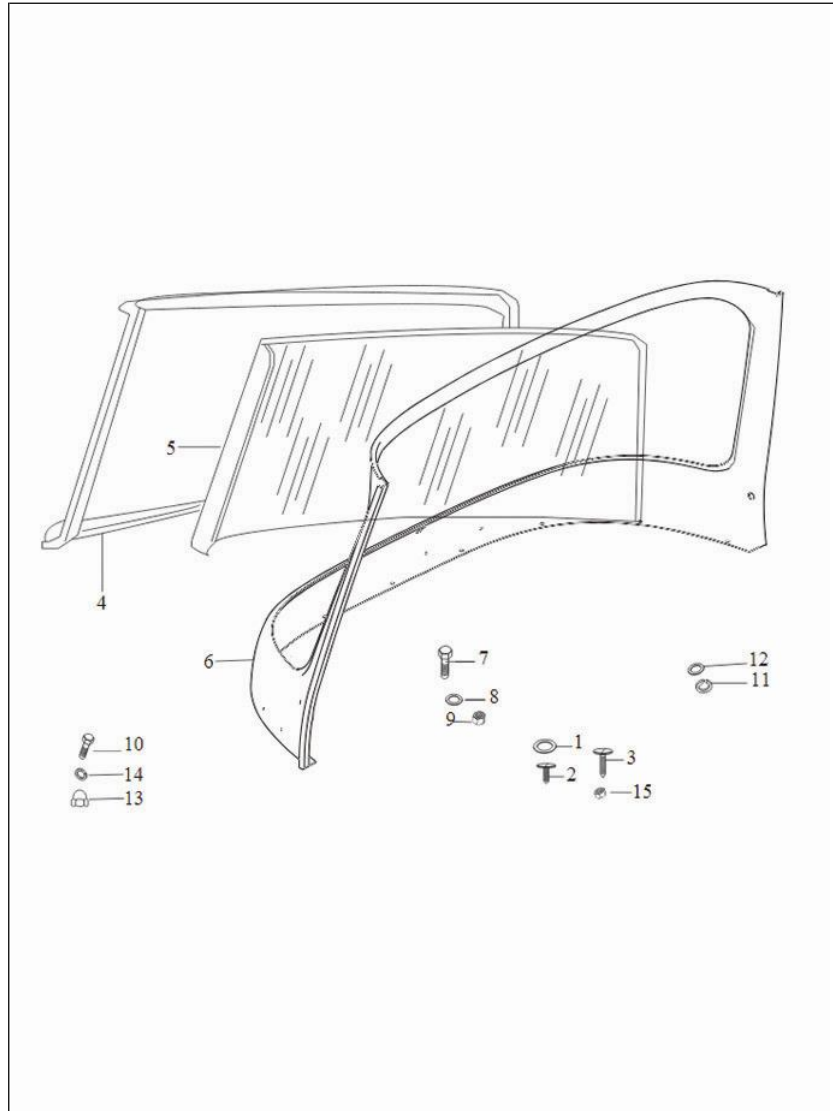


PLATE-20

WIND SHIELD/GLASS/BEADING

Fig. No.	Part No.	Description	Qty	Remarks
1	16670	PLAIN WASHER 12X4.5X1	2	
2	568692	PAN SELF TAP SCREW 6SG X 16AB	2	
3	18630	PAN SELF TAP SCREW 6SG X 25AB	2	
4	B073626	WINDSHIELD PACKING	1	
5	B073601	LAMINATED WINDSHIELD GLASS	1	E - Marked (Export)
6	B073602ED	WINDSCREEN FRAME (COMPLETE)	1	
7	B001386	HEX HEAD SCREW M5X20	9	
8	16405	SPRING WASHER M5	16	
9	020105	HEXAGONAL NUT	20	
10	30242	SLOT CH. HD. SCREW	8	
11	808000826	PLAIN WASHER M8	2	
12	016408	SPRING WASHER	2	
13	568713	DOME NUT	8	
14	003055	RAW WASHER(808000527)	8	
15	20104	HEX NUT M4	8	

PLATE-21
MAIN FRAME/BATTERY BKT/ JACK BKT

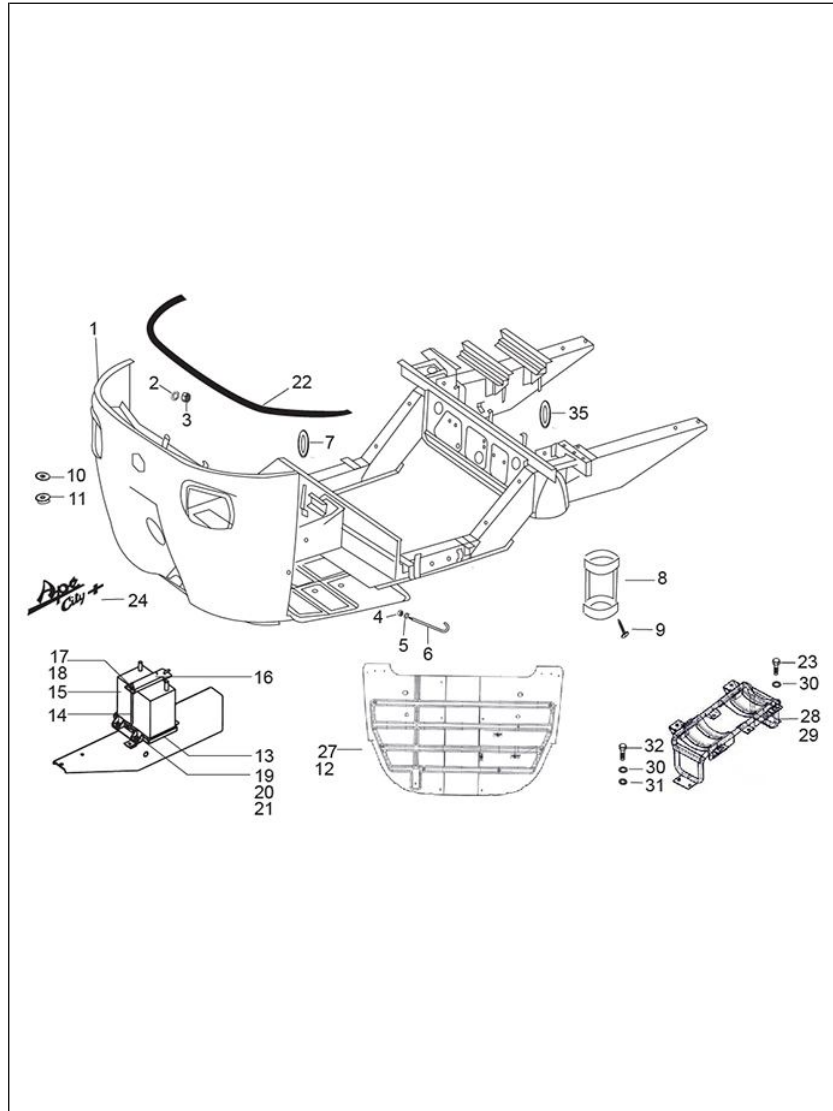


PLATE-21

MAIN FRAME/BATTERY BKT/ JACK BKT

Fig. No.	Part No.	Description	Qty	Remarks
1	B079222BW	MAIN FRAME ASSLY APE CITY+_PTL_BW	1	FOR HSRP
1	B079222BL	MAIN FRAME ASSLY APE CITY+_PTL_BL	1	FOR HSRP
1	B078170CB	MAIN FRAME ASSLY APE CITY+_PTL_CB	1	FOR HSRP
1	B079222EG	MAIN FRAME ASSLY APE CITY+_PTL_EG	1	FOR HSRP
1	B079222GY	MAIN FRAME ASSLY APE CITY+_PTL_GY	1	FOR HSRP
1	B079222NB	MAIN FRAME ASSLY APE CITY+_PTL_NB	1	FOR HSRP
1	B079222WR	MAIN FRAME ASSLY APE CITY+_PTL_WR	1	FOR HSRP
1	B079221BW	MAIN FRAME ASSLY APE CITY+ CNG/LPG_BW	1	FOR HSRP
1	B079221BL	MAIN FRAME ASSLY APE CITY+ CNG/LPG_BY	1	FOR HSRP
1	B079221CB	MAIN FRAME ASSLY APE CITY+ CNG/LPG_CB	1	FOR HSRP
1	B079221EG	MAIN FRAME ASSLY APE CITY+ CNG/LPG_EG	1	FOR HSRP
1	B079221GY	MAIN FRAME ASSLY APE CITY+ CNG/LPG_GY	1	FOR HSRP
1	B079221NB	MAIN FRAME ASSLY APE CITY+ CNG/LPG_NB	1	FOR HSRP
1	B079221WR	MAIN FRAME ASSLY APE CITY+ CNG/LPG_WR	1	FOR HSRP
2	003054	PLAIN WASHER	5	
3	20104	HEX NUT M4	5	
4	020108	HEXAGONAL NUT	1	
5	003058	PLAIN WASHER 15X8.4X1.5	1	
6	604954	TENSION ROD	1	
7	B075981	GROMMET WIRING HAND BRAKE	1	
8	B041392	BOTTLE CARRIER STAND	1	
9	660168	PAN SELF TP. SCREW 10 SGX13AB	2	
10	B075979	GROMMET	2	
11	604756	HOSE CLIP	2	
12	B074435	CABIN FLOOR SUB-ASSY. (LPG / CNG)	1	
13	616649	BATTERY TRAY	1	
14	632508	TENSION ROD ASSY. (BATTERY MOUNTING.)	1	
15	652253R	BATTERY 12V-35AH	1	
16	B003978	BATTERY HOLDING PLATE	1	
17	020108	HEXAGONAL NUT	1	
18	003058	PLAIN WASHER 15X8.4X1.5	1	
19	016408	SPRING WASHER	1	
20	13861	PLAIN WASHER 20X8.2X2.5	4	
21	31118	SCREW M8X20	4	
22	B024474	BEADDING LINING	1	

PLATE-21
MAIN FRAME/BATTERY BKT/ JACK BKT

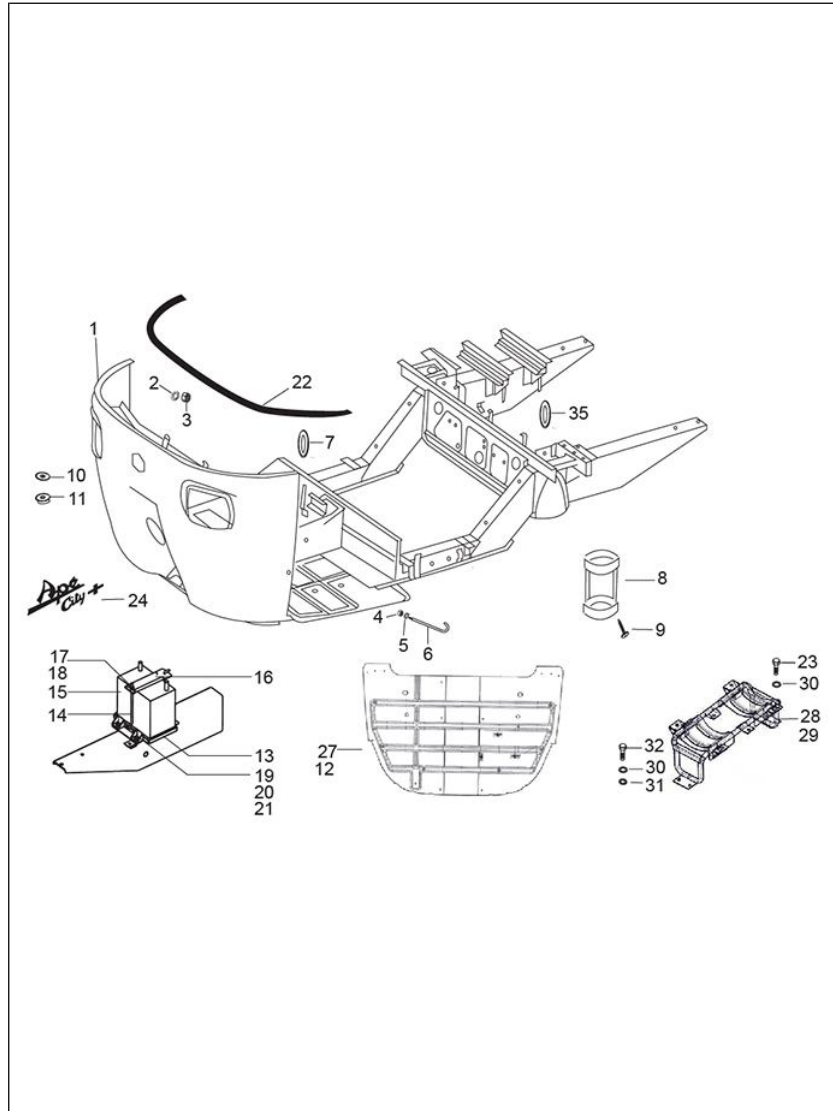


PLATE-21

MAIN FRAME/BATTERY BKT/ JACK BKT

Fig. No.	Part No.	Description	Qty	Remarks
23	31116	HEX HD. SCREW M8X16	2	
24	B078919	APE CITY STICKER (FRONT PANEL)	1	
25	B074657	BEEEDING DOME SIDE PILLAR (LPG/CNG)	1	
26	B074637	BEEEDING DOME SIDE PILLAR (PET/DLS)	1	
27	587905PC	CABIN FLOOR SUB-ASSY.	1	
28	NEW	INNER GEAR CONTROL CABLE (BLACK/WHITE)	1	
29	NEW	INNER GEAR CONTROL CABLE (BLACK/WHITE)	1	
30	002383	PLAIN WASHER M20X8.5X2	4	
31	016408	SPRING WASHER	6	
32	31118	SCREW M8X20	4	
33	003058	PLAIN WASHER 15X8.4X1.5	3	

PLATE-22
DASHBOARD ASSEMBLY

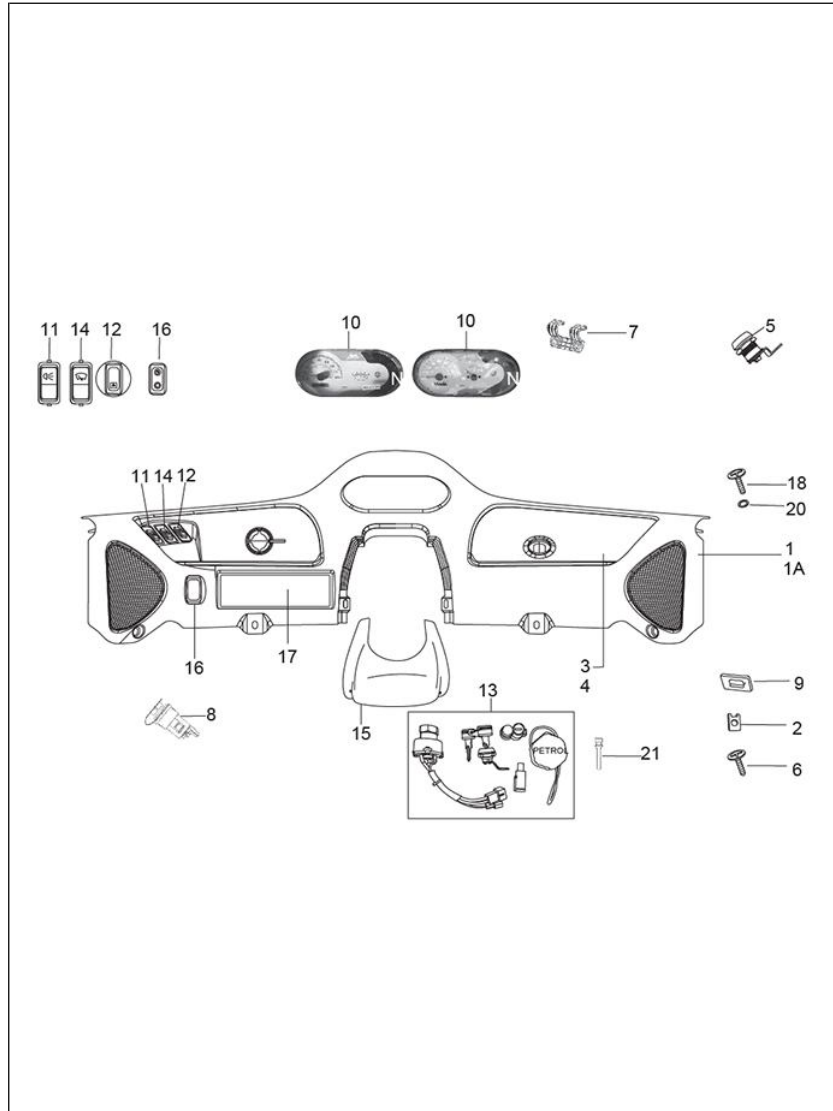


PLATE-22
DASHBOARD ASSEMBLY

Fig. No.	Part No.	Description	Qty	Remarks
1	6B000211	DASHBOARD ASSLY.COMPLETE PTL	1	PTL
1	6B000213	DASHBOARD ASSLY.COMPLETE CNG	1	CNG
1	6B000214	DASHBOARD ASSLY.COMPLETE LPG	1	LPG
1A	B073809	DASH BOARD ASSY.	1	
2	008080	SPRING PLATE	4	
3	B073810	GLOVE BOX COVER	1	
4	568671	GASKET - GLOW BOX COVER (N.I.)	4	
5	B024169	GLOVE BOX LOCK WITH KEY	1	
6	660168	PAN SELF TP. SCREW 10 SGX13AB	4	
7	B073814	HINGE	1	
8	B074905	MOBILE CHARGER	1	
9	643691	BOLT LOCK PLATE	1	
10	6D000214	INSTRUMENT CLUSTER-PETROL	1	PTL
10	6D000058	INSTRUMENT CLUSTER-CNG	1	CNG
10	6D000059	INSTRUMENT CLUSTER-LPG	1	LPG
11	B073478	SWITCH 3 POSITION	1	
12	B073481	HAZARD WARNING SWITCH WITH CROWN CAP (12V)(VE)	1	
13	B079282	LOCK SET WITH KEYS APE CITY +_PTL	1	PTL
13	B079047	LOCK SET & KEYS	1	CNG / LPG
14	B073479	WIPER MOTOR SWITCH/ SWITCH WIPER MOTOR	1	
15	B073811	STEERING COLUMN COVER	1	
16	B075732	FUEL CHANGE OVER SWITCH	1	
17	B073812	UTILITY BOX	1	
18	B023976	CSK PHILIPS HEAD SCREW M5X15	8	
19	B074262	PIN	2	
20	006078	WASHER	8	
21	B074275	RUBBER DAMPER	2	

PLATE-23
REAR SUSPENSION

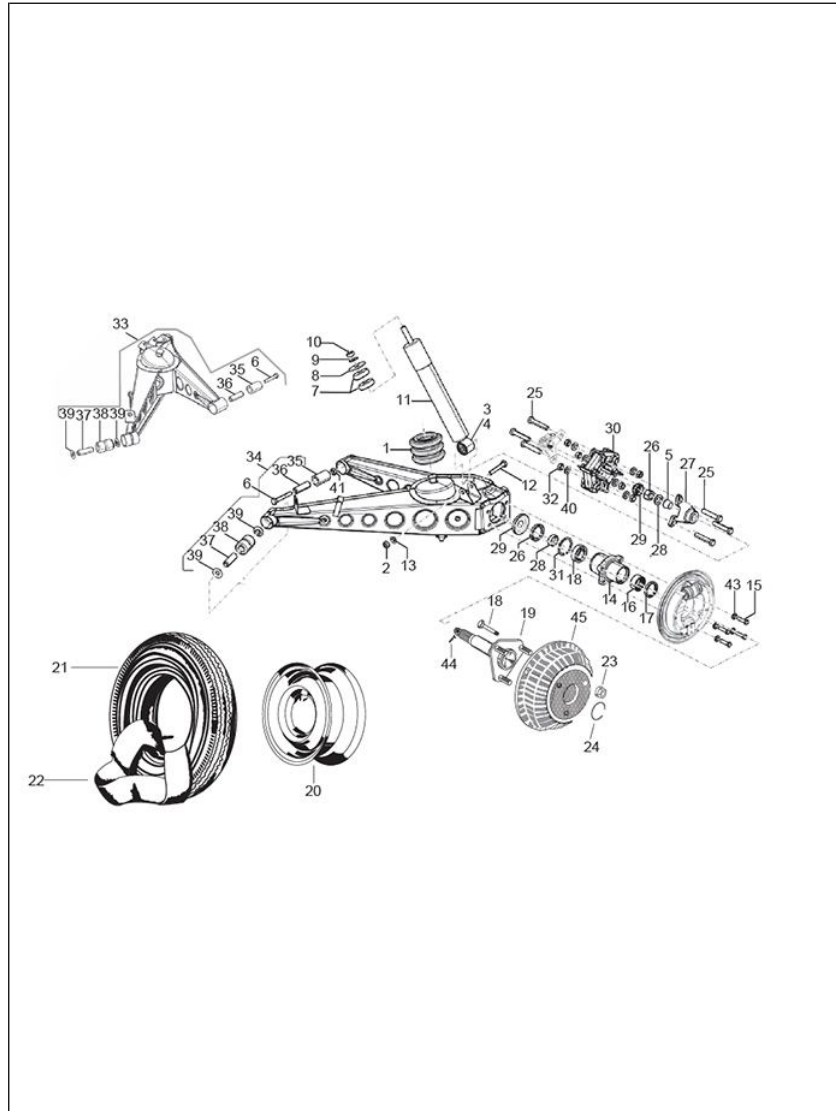


PLATE-23
REAR SUSPENSION

Fig. No.	Part No.	Description	Qty	Remarks
1	568289	RUBBER BUMPER	2	
2	231370	SELF BREAKING NUT M10	2	
3	157103	BUSH - SHOCK ABSORBER	2	
4	107827	SPACER	1	
5	128633	CONE	1	
6	643741	HEX HDD BOLT M10 X 80 CL 12.9	4	
7	157103	BUSH - SHOCK ABSORBER	4	
8	006066	PL WASHER 10.5X38X9	2	
9	016410	SPRING WASHER	2	
10	20110	HEX NUT M10	2	
11	136451R	SHOCK ABSORBER REAR	2	
12	267068	HEX HEAD BOLT M10 X 60 CC 10.9	2	
13	286328	PLAIN WASHER 20X10.2X2	2	
14	136888	REAR WHEEL HUB	2	
15	652520	BOLT FOR AXLE M12 X 40 (VE WHEEL RIM)	8	
16	661282	NEEDLE ROLLER BEARING	2	
17	20359	SEAL RING	2	
18	243303R	DEEP GROVE BALL BRG-RR WH AXLE	2	
19	6C000060	WHEEL AXLE	2	
20	644973R	WHEEL RIM ASSY.	4	
21	587971	TYRE 4.50 X 10 8 PR	4	
22	151924	INNER TUBE TYRE 4.5 X 10 INCH	4	
23	660931	WHEEL NUT (M12 X 1.5)	3	
24	107870	ELASTIC RING	2	
25	15594	HEX HDD BOLT M10 X 35	12	
26	196302	OIL SEAL	2	
27	587617	ELASTIC JOINT CONNECTION HUB (WHL - SIDE)	2	
28	661267	RING	2	
29	109892	PROTECTION CUP RR HUB	2	
30	604535	FLEXIBLE COUPLING	2	
31	006650	CIRCLIP DIA 50 (INT)	2	
32	231370	SELF BREAKING NUT M10	12	
33	644897	ARM ASSLY RT RR SUS. WITH SILENT BLOCK (VE)	1	
34	644898	ARM ASSLY LT RR SUS. WITH SILENT BLOCK (VE)	1	
35	226662	RING FOR ELASTIC SUPPORT	2	

PLATE-23
REAR SUSPENSION

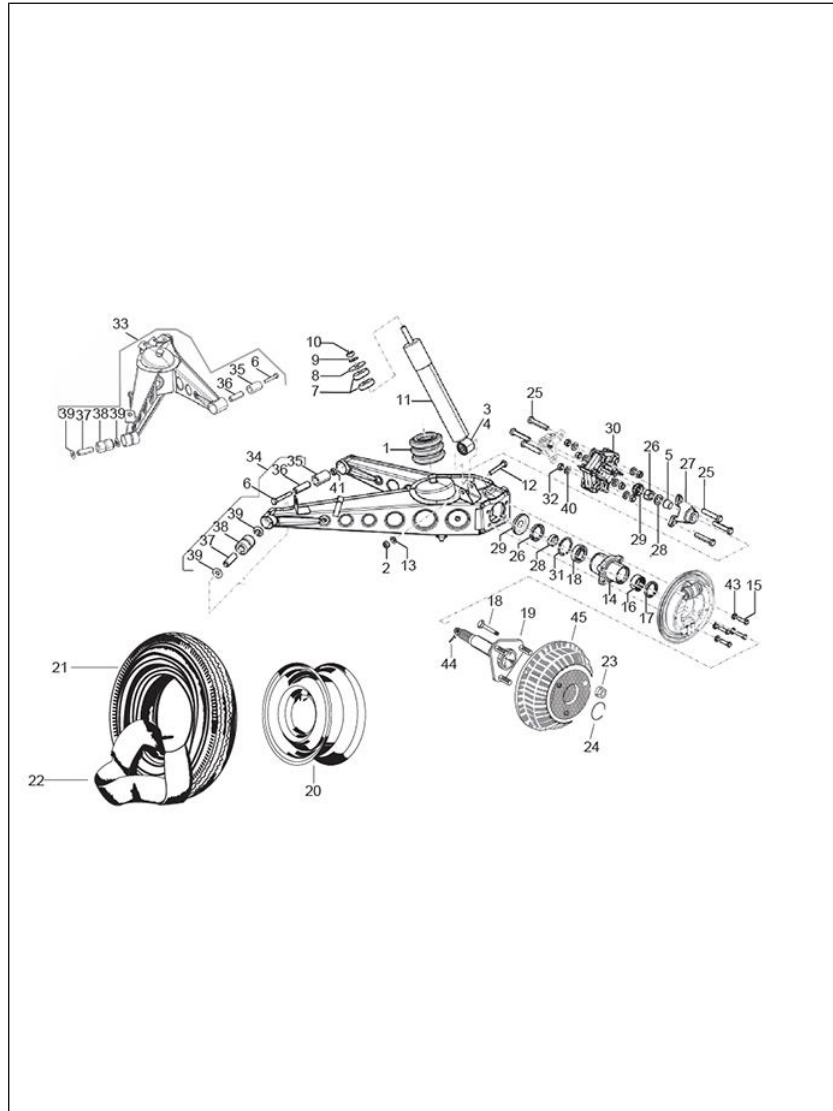


PLATE-23
REAR SUSPENSION

Fig. No.	Part No.	Description	Qty	Remarks
36	226661	INTERNAL BUSH	2	
37	267065	SPACER FRONT	2	
38	226596	BUSH FRONT RING FOR ELASTIC SUPPORT	2	
39	661266	SHOULDER WASHER	4	
40	237246	SHIM WASHER 20X10.2X1	12	
41	231370	SELF BREAKING NUT M10	4	
42	003068	PLAIN WASHER	1	
43	016408	SPRING WASHER	8	
44	12790	SPLIT PIN	2	
45	152580	BRAKE DRUM APE - 501	2	
46	286328	PLAIN WASHER 20X10.2X2	2	NI

PLATE-24
STEERING COLUMN AND FRONT SUSPENSION

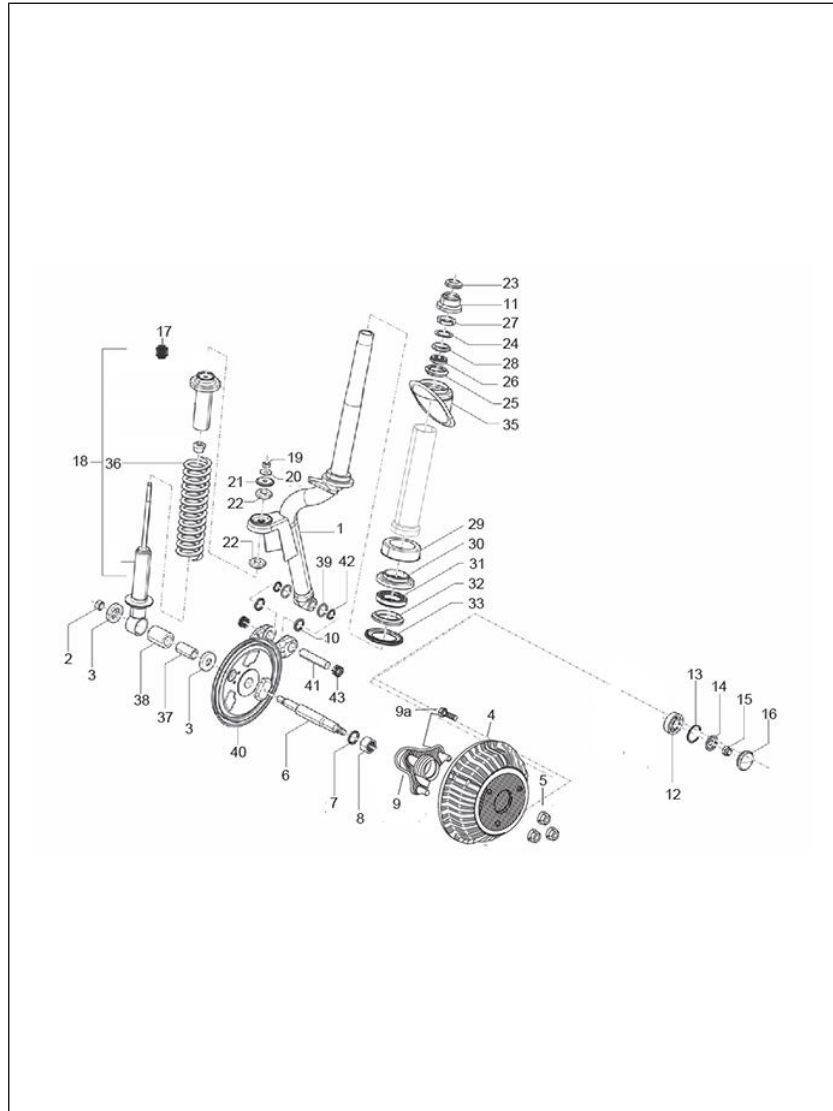


PLATE-24

STEERING COLUMN AND FRONT SUSPENSION

Fig. No.	Part No.	Description	Qty	Remarks
1	B076859	STEERING COLUMN WITH I.P. (501 STD)	1	
1	B076873SP	STEERING COLUMN ASSLY (NRB) -501 STD SPD	1	assy
2	568095	NYLOCK NUT	1	
3	87067	PLAIN WASHER 30.5X14.3X2	1	
4	152580	BRAKE DRUM APE - 501	1	
5	660931	WHEEL NUT (M12 X 1.5)	3	
6	643772R	FRONT WHEEL AXLE	1	
7	136434	OIL SEAL	1	
8	125289	NEEDLE BEARING, CRANKASE, FRONT WHEEL	1	
9	652521	FR. WHEEL HUB ASSY.	1	
9A	652520	BOLT FOR AXLE M12 X 40 (VE WHEEL RIM)	4	
10	150579	RING FOR HOLDING TYPE J F101 17A	2	
11	604758	PROTECTION	1	
12	30209R	BALL BEARING FRONT WHEEL HUB	1	
13	567473	CIRCLIP DIA. 42 INT. (841004203)	1	
14	180431	COIN WASHER	1	
15	74521	NUT M14 X 1.5	1	
16	107871	CAP	1	
17	75708	SILENT BLOCK	1	
18	569246R	FRONT SHOCK ABSORBER	1	
19	21110	HEX UT M10 X 1.25 P ASSY.	1	
20	016410	SPRING WASHER	10	
21	006066	PL WASHER 10.5X38X9	1	
23	604758	PROTECTION	1	
24	108873	STOP WASHER FOR HOLDING	1	
25	567990	BEARING RACE UPPER BOTTOM	1	
26	567991	BEARING RACE UPPER TOP	1	
27	108874	SECURING RING NUT	1	
28	662423	SOLID OIL BALL CAGE (UPPER) 7105	1	
29	109064	DUST COVER	1	
30	567992	BEARING RACE LOWER TOP	1	
31	662422	SOLID OIL BALL CAGE (LOWER) 7104	1	
32	567993	BEARING RACE LOWER BOTTOM	1	
33	109066	WASHER WITH PROTECTION FOR BEARING	1	
34	604759	RUBBER CAP STEERING COLUMN (N.I.)	4	

PLATE-24
STEERING COLUMN AND FRONT SUSPENSION

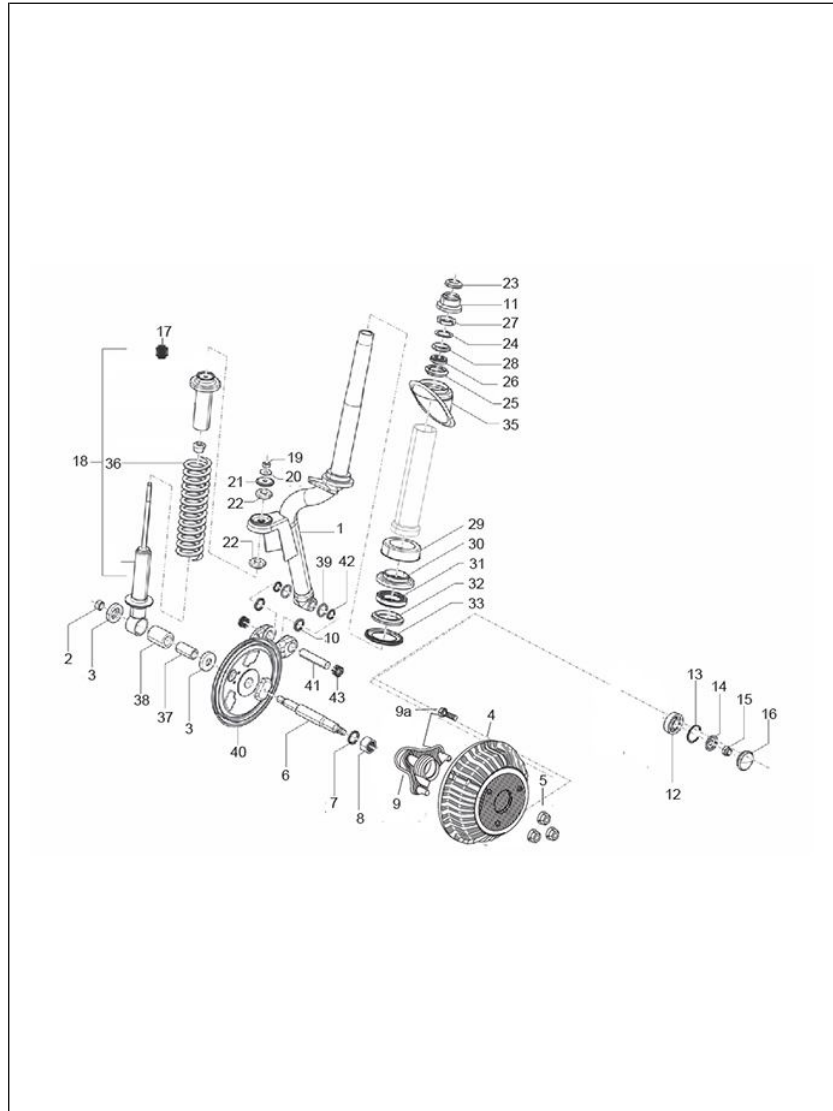


PLATE-24

STEERING COLUMN AND FRONT SUSPENSION

Fig. No.	Part No.	Description	Qty	Remarks
35	109265	SPLASH GUARD DUST COVER	1	
36	569255	FRONT SUSPENSION SPRING	1	
37	109117	RUBBER BUSH (FRT SHOCK ABSORBER) / RING	1	
38	566545	RUBBER BUSH (FRT SHOCK ABSORBER) - MODIFIED	1	
39	006733	O RING	2	
40	616541	BRACKET WHEEL CARRIER WITH PI	1	
41	137235	STEERING PIN	1	
42	008771	OIL SEAL (18-24-4)	2	
43	107718	ROLLER BUSH	2	

PLATE-25
HANDLE BAR AND CONTROL

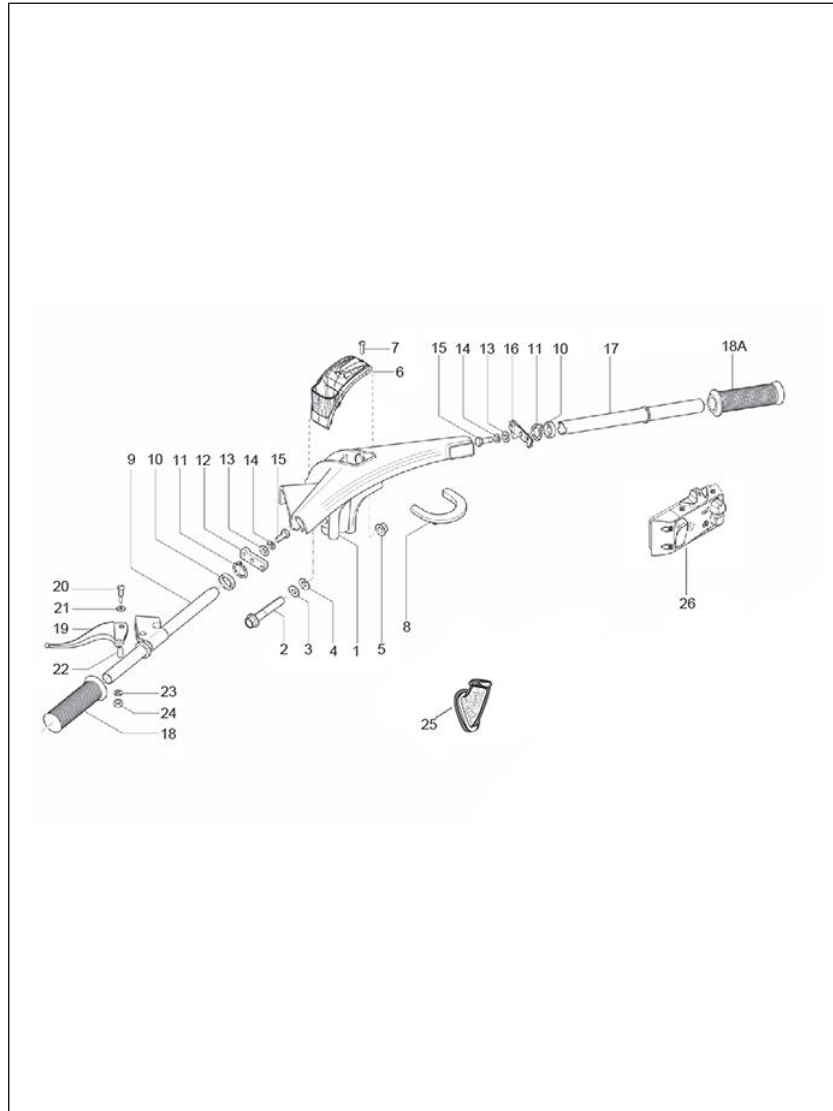


PLATE-25

HANDLE BAR AND CONTROL

Fig. No.	Part No.	Description	Qty	Remarks
1	B075687ED	HANDLE BAR BODY-ED	1	
2	30104	MOUNTING BOLT M10 X 75	1	
3	16626	PLAIN WASHER (18X10.5X2)	2	
4	016410	SPRING WASHER	1	
5	21110	HEX UT M10 X 1.25 P ASSY.	1	
6	B073817	COVER	1	
7	632158	CSK HEAD SCREW	1	
8	126902	PROTECTION COLLAR CABLE	1	
9	B078029	TUBE SUB ASSLY. GEAR CONTROL	1	
9	6A000197	TUBE SUB ASSY WITH PARTS MODI	1	chassis cut off MBX0005AFXD843185
9A	B075313	SCREW FOR CLUTCH LEVER (NEW)	1	chassis cut off MBX0005AFXD843185
10	109404	WASHER OF RABBET(41737)	1	
11	60565	SPRING WASHER	1	
12	109775	GEAR CONTROL LEVER S/A	1	
13	003055	RAW WASHER(808000527)	2	
14	016406	SPRING WASHER	2	
15	31089	HEX HEAD SCREW M6X18 CL 8.8	2	
16	109635	THROTTLE CONTROL LEVER WITH IP	1	
17	587902	ACCELERATOR TUBE ASSY.	1	
18	B073848	HANDLE BAR GRIP - LH	2	
18 A	B073849	HANDLE BAR GRIP - RH	1	
19	1E002770	LEVER CLUTCH CONTROL	1	
20	15618	SLT PAN HD SCREW	1	
21	16319	BENT SPRING WASHER	1	
22	125181	SPACER	1	
23	16620	PLAIN WASHER	1	
24	12138	NYLOCK NUT M6	1	
25	109227	PROTECTION GROMMET	1	
26	B073850	HANDLE BAR SWITCH	1	

PLATE-26

BRAKE - TANDEM MASTER CYLINDER ,BRAKE PIPE AND HAND BRAKES

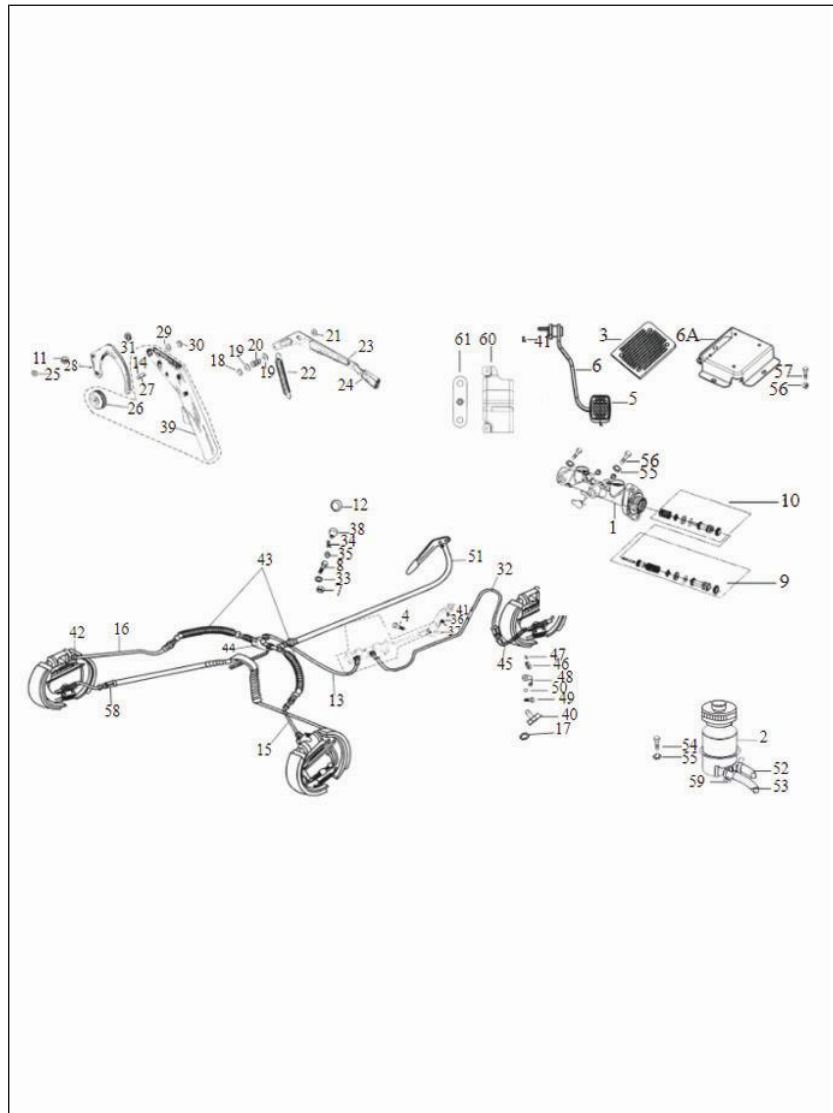


PLATE-26

BRAKE - TANDEM MASTER CYLINDER ,BRAKE PIPE AND HAND BRAKES

Fig. No.	Part No.	Description	Qty	Remarks
1	B075485	TMC ASSY. (19.05)	1	
2	B073788	BRAKE OIL TANK	1	
3	B074024	RUBBER MAT FOR FOOT REST	1	
4	652001	PIN	1	
5	567461	RUBBER PROTECTION FOR PEDAL	1	
6	B076847	BRAKE PEDAL ASSLY	2	
6	6C000118	FOOT BRAKE PEDAL	1	Applicable for W/o foot rest vehicle
6A	B073538	FOOT REST	1	
7	020108	HEXAGONAL NUT	2	
8	1A016964	CSK PHILIPS HEAD SCREW	2	
9	940067	MAJOR KIT TMC (UG)	1	
10	940068	MINOR KIT TMC (UG)	1	
11	020106	HEXAGONAL NUT	2	
12	B042693	CUP RETAINING SPRING (SPLIT TYPE)	2	
13	B075852	BRAKE TUBE FOR REAR WHEEL	1	
14	567920	SPLIT PIN	3	
15	644813	BRAKE PUMP TUBE OF LEFT REAR WHEEL	1	
16	644812	BRAKE PUMP TUBE OF RIGHT REAR WHEEL	1	
17	003055	RAW WASHER(808000527)	1	
18	005969	CIRCLIP DIA 9 E TYPE	1	
19	006173	METALLIC PLAIN WASHER (808001026)	2	
20	108785	SPRING	1	
21	B042317	SPACER-RC LEVER	1	
22	567690	REVERSE GEAR COUPLING SPRING	1	
24	604717	KNOB FOR R.C.	1	
25	016406	SPRING WASHER	2	
26	B075475	PULLEY FOR HAND BRAKE	1	
27	567899	CLEVIS PIN	1	
28	B042794	RATCHET , HAND BRAKE CONTROL	1	
29	016408	SPRING WASHER	1	
30	006411	EXT CIRCLIP DIA 11	1	
31	020108	HEXAGONAL NUT	1	
32	568161	TUBE BETWEEN TMC & FRT WHEEL	1	
33	016408	SPRING WASHER	2	
34	567920	SPLIT PIN	1	

PLATE-26

BRAKE - TANDEM MASTER CYLINDER ,BRAKE PIPE AND HAND BRAKES

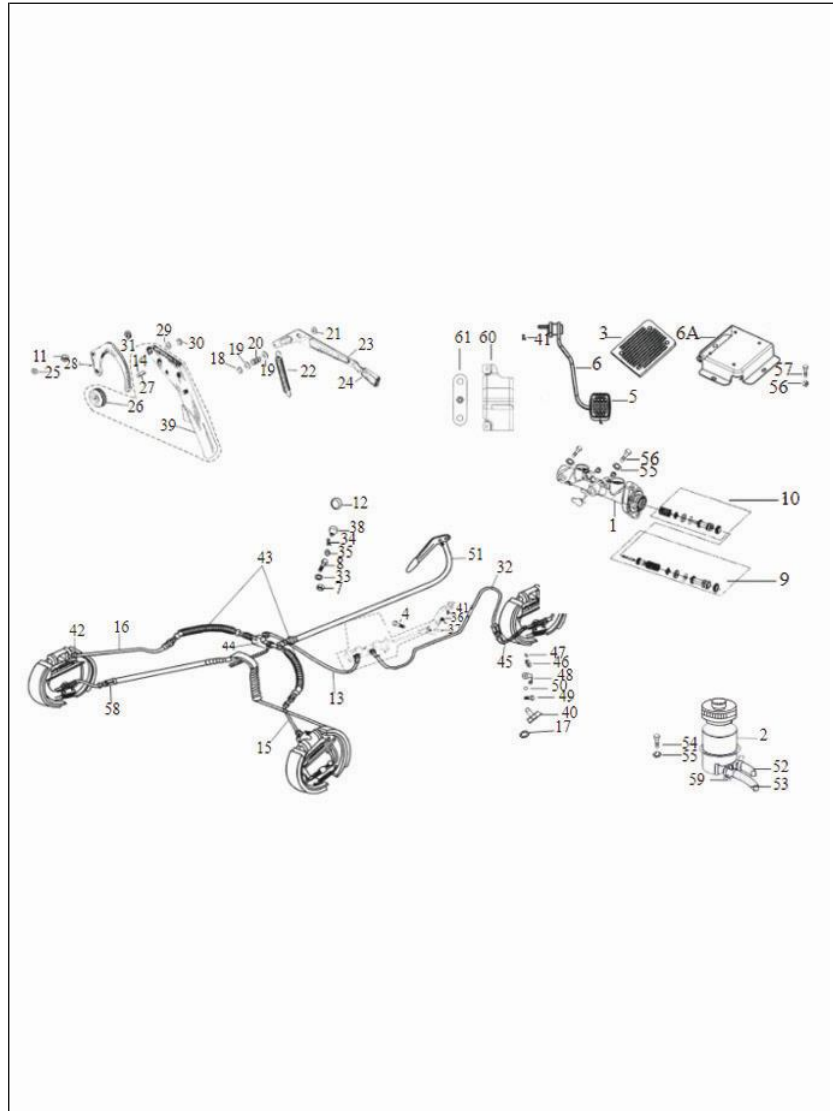


PLATE-26

BRAKE - TANDEM MASTER CYLINDER ,BRAKE PIPE AND HAND BRAKES

Fig. No.	Part No.	Description	Qty	Remarks
35	003058	PLAIN WASHER 15X8.4X1.5	1	
36	B073800	TORSIONAL SPRING	1	
37	229524	WASHER 21X14.3X2	1	
38	138237	CAP	1	
39	567746G1	HAND BRAKE LEVER (WITH POWDER COATING)	1	
40	632056	HEX NUT M6	1	
41	568737	SPLIT PIN 4 X 25 (821 0425 2 2)	2	
42	136916	PLATE FOR RETAINING THE BRAKE FLEX. PIPE	3	
43	644814R	FLEXIBLE BRAKE HOSE	2	
44	643692	THREE WAY UNION	1	
45	587624R	FLEXIBLE PIPING FOR FRONT WHEEL BRAKE R	1	
46	21216	HEX NUT M16 X 1.5	1	
47	48197	PL WASHER 24X16X1.5	13	
48	B003228	LOCK PLATE FRONT BRAKE HOSE	1	
49	661229	BANJO BOLT	1	
50	604910	COPPER WASHER FEED PUM	1	
51	B041774	PARKING BRAKE CABLE ASSY	1	
52	B075488	TUBE NO-1-BRAKE OIL TANK TO TMC	1	
53	B075489	TUBE NO-2 -BRAKE OIL TANK TO TMC	1	
55	013880	PLAIN WASHER	4	
56	20104	HEX NUT M4	4	
57	31088	HEX HD SCREW M6 X 16 CL 8.8 (811061623)	4	
58	B076007	PIPE CLIP 1 WAY	6	
59	B075838	CLAMP	2	
60	B075949	TMC PROTECTIVE SHIELD	1	
61	B075950	TMC SHIELD MTG. BKT.	1	
62	B075700	CLIP (14.5)	1	

PLATE-27
ELECTRICAL DEVICES

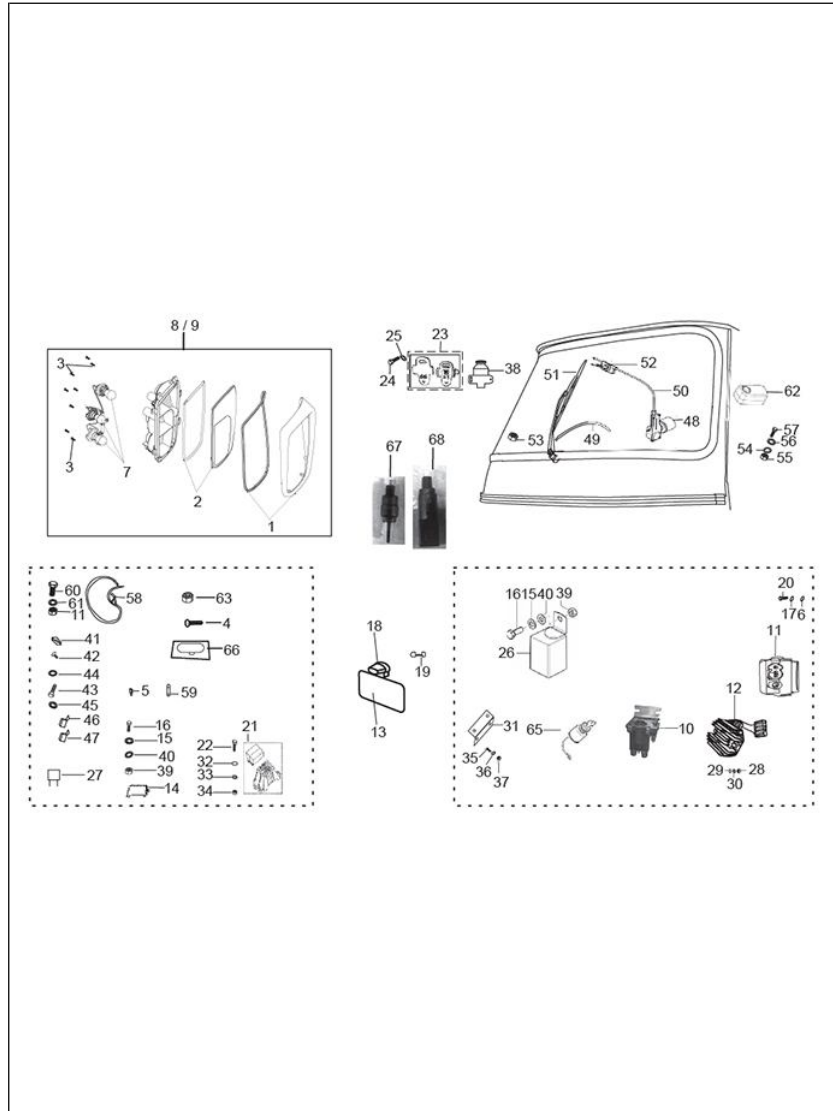


PLATE-27
ELECTRICAL DEVICES

Fig. No.	Part No.	Description	Qty	Remarks
1	6D000423	OUTER BEZEL WITH RUBBER BEADING LH	1	BLACK
1	6D000432	OUTER BEZEL WITH RUBBER BEADING RH	1	BLACK
2	6D000420	COMPLETE LENS LH	1	
2	6D000421	COMPLETE LENS RH	1	
2.1	6D000424	WIRE ASSY (WITHOUT REVERSE)	2	
2.2	6D000435	WIRE ASSY(WITH REVERSE)	2	
2.3	6D000426	GASKET INBULT LENS AND HOUSING	2	
3	6D000425	SCREW 3.5X10	16	
4	B074539	PHILIPS COUNTER HEAD SCREW	2	
5	604557	FUSE (10A)	6	
6	003055	RAW WASHER(808000527)	1	
7	6D000429	BULB 12V PY21W	2	
7.1	6D000427	BULB 12V P21/5W	2	
7.2	6D000428	BULB 12V P21W	2	
8	B076209	TAIL LAMP _ASSLY _LH CITY	1	E - Marked (Export)
9	B076210	TAIL LAMP _ASSLY _RH CITY	1	E - Marked (Export)
10	587671R	4 ST RELAY SOLENOID	1	
11	1A009251	CDI - PETROL	1	
11	1A009352	CDI - LPG	1	
11	1A009353	CDI - CNG	1	
12	1D000671R	VOLTAGE REGULATOR	1	
13	B075977	NUMBER PLATE - REAR (INDIAN MARKET)	1	
14	B023727R	CONTACTOR	1	
15	12546	PLAIN WASHER / MULTI TOOTH LOCK WASHER M5	1	
16	31057	HEX HEAD SCREW M5 X 14 CL 8.8	1	
17	568721	SPRING WASHER M4	2	
18	639088	TAIL LAMP	1	E - Marked (Export)
19	71633	STOP AND PARKING BULB 12V 10/5 W	1	
20	008451	PAN SELF TP SCREW 6 SGX13 AB	2	
21	567581	FOUR POLE FUSE BOX	1	
22	031058	HEXAGONAL HEAD SCREW (M5X16)	2	
23	567498R	BRAKE/REVERSE LIGHT SW (INTEGRAL CAP)- PAV	2	
24	15996	PHIL RD HD SCREW M4X12	2	
25	003054	PLAIN WASHER	2	
26	B023727R	CONTACTOR	1	

PLATE-27
ELECTRICAL DEVICES

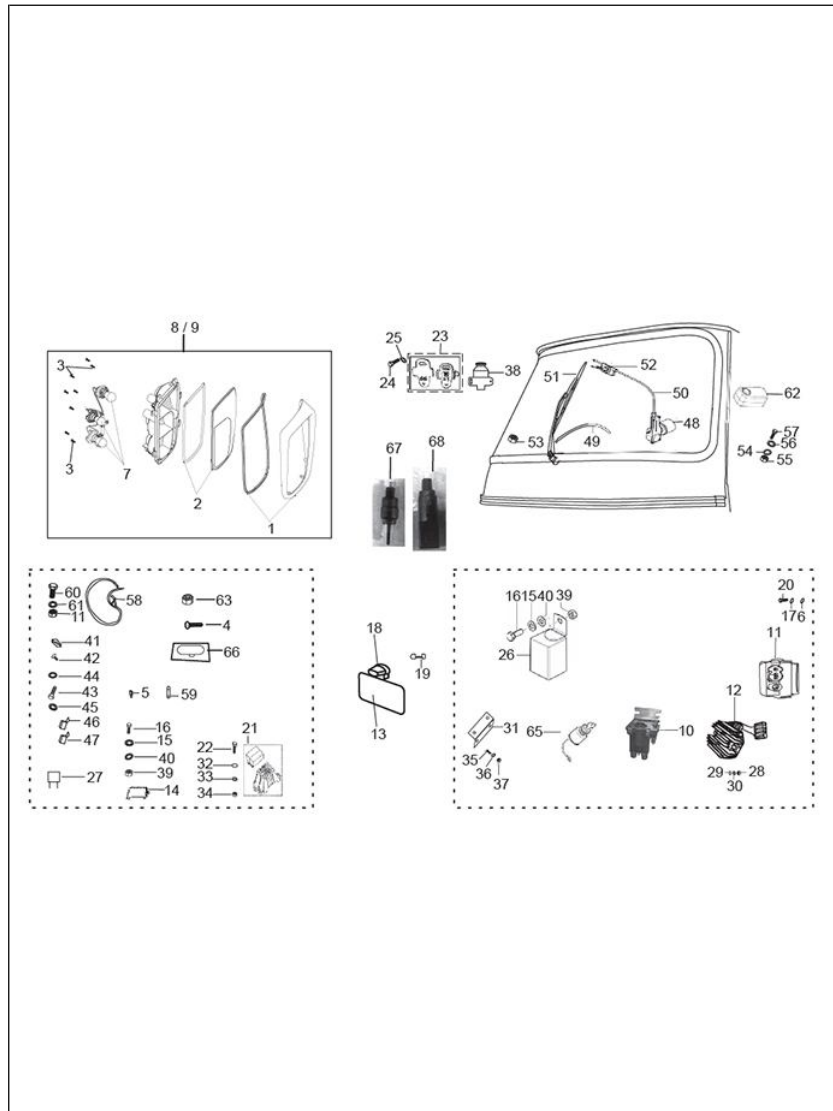


PLATE-27
ELECTRICAL DEVICES

Fig. No.	Part No.	Description	Qty	Remarks
27	567706	FUSE 30 A	1	
28	12136	NUT / NYLOCK NUT M5	2	
29	006078	WASHER	2	
30	16405	SPRING WASHER M5	2	
31	660109	FUSE BOX BKT	1	
32	003055	RAW WASHER(808000527)	2	
32	006078	WASHER	2	
33	006965	BENT SPRING WASHER 5,3X20X0,5	2	
34	020105	HEXAGONAL NUT	2	
35	031058	HEXAGONAL HEAD SCREW (M5X16)	22	
36	006965	BENT SPRING WASHER 5,3X20X0,5	2	
37	020105	HEXAGONAL NUT	2	
38	567747	STOP (BRAKE) SWITCH PROTECTION/PACKING BOOT	21	
39	020105	HEXAGONAL NUT	1	
40	003055	RAW WASHER(808000527)	1	
41	660109	FUSE BOX BKT	1	
42	568692	PAN SELF TAP SCREW 6SG X 16AB	1	
43	31088	HEX HD SCREW M6 X 16 CL 8.8 (811061623)	1	
44	003056	PLAIN WASHER	1	
45	016406	SPRING WASHER	1	
46	680166	SAFETY STARTER RELAY	1	
47	B023727R	CONTACTOR	1	
48	B073685	WIPER MOTOR ASSY. WITH MTG. BKT.	1	
49	B073821	BUNDY TUBE OUTER (UP)	1	
50	B073682	WIPER BUNDY - MOTOR TO WHEEL BOX	1	
51	B073600	WIPER ARM & BLADE ASSY	1	
52	569197	WHEEL BOX ASSY. (MOD.)	1	
53	569165	DOME NUT	1	
54	016406	SPRING WASHER	1	
55	020106	HEXAGONAL NUT	6	
56	003056	PLAIN WASHER	6	
57	31088	HEX HD SCREW M6 X 16 CL 8.8 (811061623)	6	
58	B078213	BATTERY +VE CABLE-CUT STARTER MOTOR (LPG/CNG)	1	
59	925786	ECU - FUSE (2A) (N.I)	1	
60	31088	HEX HD SCREW M6 X 16 CL 8.8 (811061623)	2	

PLATE-27
ELECTRICAL DEVICES

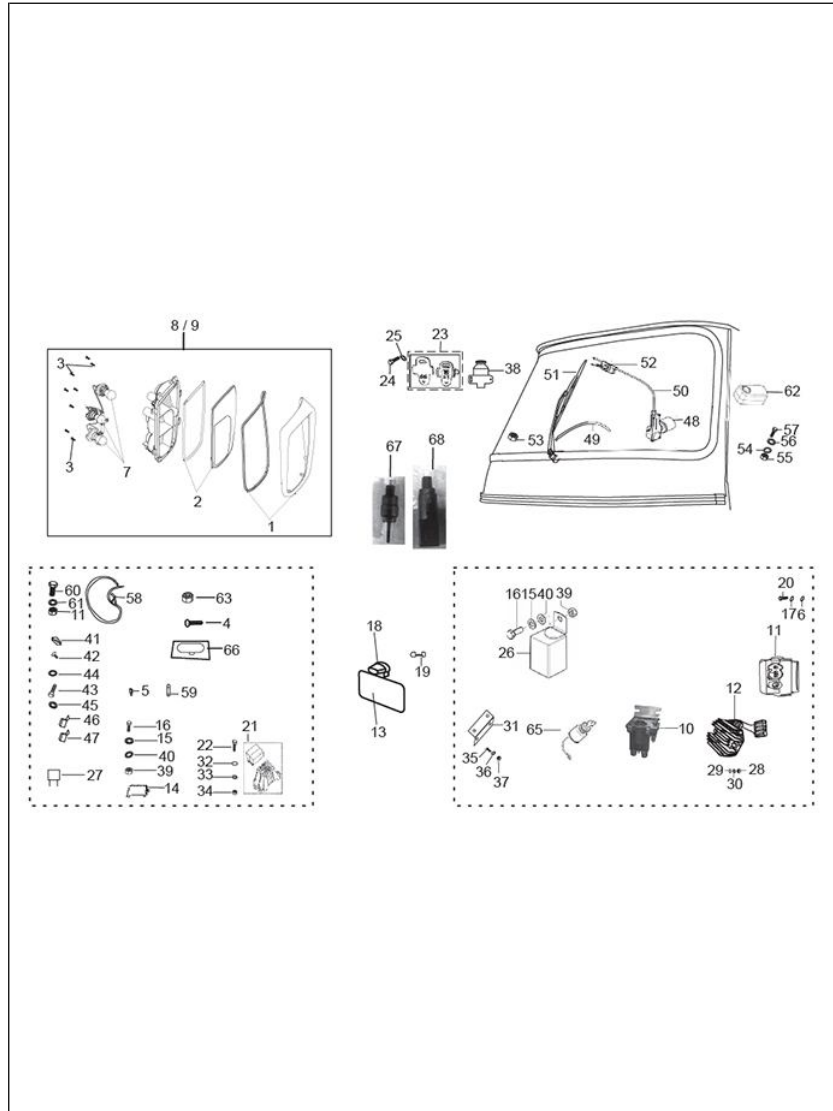


PLATE-27
ELECTRICAL DEVICES

Fig. No.	Part No.	Description	Qty	Remarks
61	016406	SPRING WASHER	2	
62	B073715	CABIN LAMP	1	
63	020106	HEXAGONAL NUT	2	
64	B076308	RUBBER SPACER (LIGHT REGISTRATION LAMP)	1	NI
65	B024532	KEY IGNITION SWITCH W/COUPLER (PAVNA)	1	
66	B074491	ENGINE COMPARTMENT LAMP WITH PIGTAIL (UP)	1	
67	642032	PUSH BUTTON-CLUTCH	1	
68	640762	PUSH BUTTON REVERSE	1	

PLATE-28
FRONT MUDGUARD & HEAD LAMP ASSY.

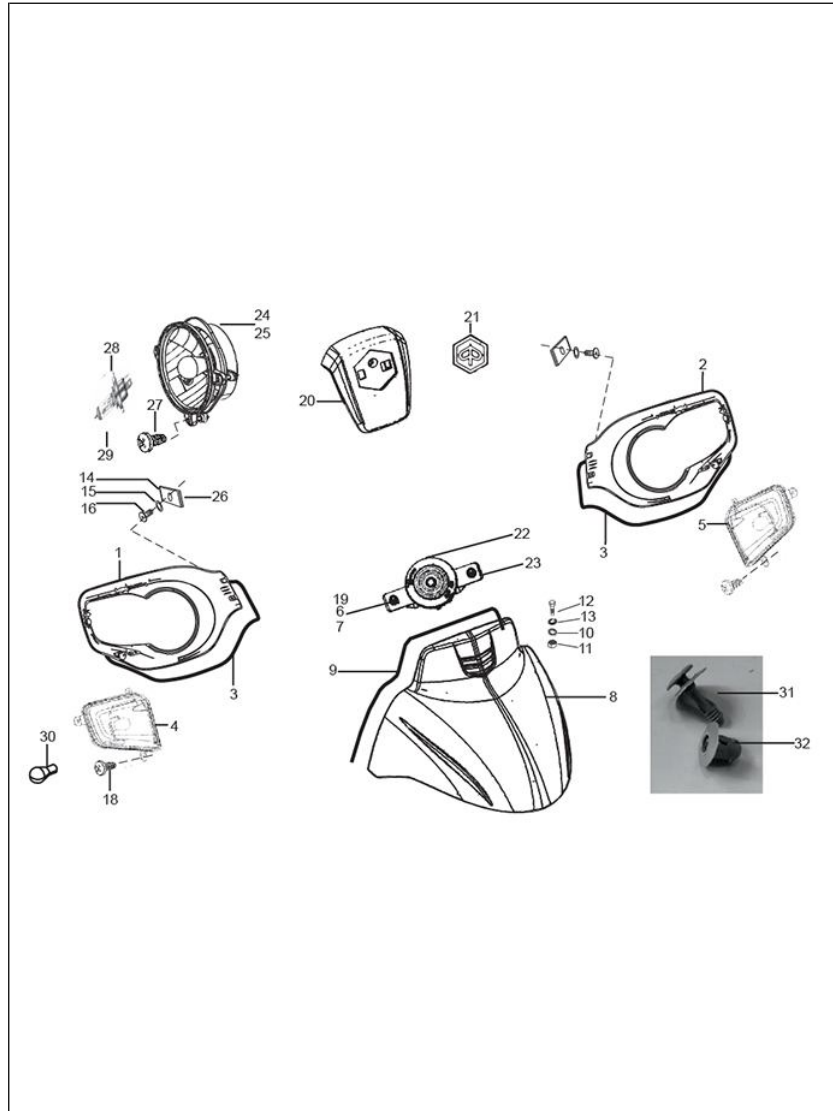


PLATE-28

FRONT MUDGUARD & HEAD LAMP ASSY.

Fig. No.	Part No.	Description	Qty	Remarks
1	B075999	HEAD LAMP COVER LH	1	E - Marked (Export)
2	B076000	HEAD LAMP COVER RH	1	E - Marked (Export)
3	B076191	HL BEZEL BEADING	2	
4	B074170	SIDE BLINKER S/A LH	1	E - Marked (Export)
4A	B078272	BLINKER HOUSING (RH)-(HOUSING + GLASS)	1	
5	B074171	SIDE BLINKER S/A RH	1	E - Marked (Export)
5A	B078274	BLINKER HOUSING (LH)-(HOUSING + GLASS)	1	
6	003056	PLAIN WASHER	4	
7	020106	HEXAGONAL NUT	4	
8	B075974	FRONT MUDGUARD	1	
9	B076801	FRONT MUDGUARD RUBBER BEADING	1	
9	B076802	FRONT MUDGUARD PARTITION RUBBER BEADING	1	
10	013880	PLAIN WASHER	8	
11	020106	HEXAGONAL NUT	4	
12	31089	HEX HEAD SCREW M6X18 CL 8.8	4	
13	078307	SPRING WASHER	4	
14	008080	SPRING PLATE	4	
15	003055	RAW WASHER(808000527)	10	
16	660168	PAN SELF TP. SCREW 10 SGX13AB	5	
17	157716	SCREW ANCHORE	8	
18	B074539	PHILIPS COUNTER HEAD SCREW	4	
19	016406	SPRING WASHER	4	
20	B076001	LOGO SUPPORT_CITY UPGRADE	1	
21	B076120	HEXAGONAL EMBLEM	1	
22	B074033	HORN ASSLY(DIA 70)	1	E - Marked (Export)
23	B073953	HORN MTG. BKT S/A	1	
24	B077866	HEADLAMP ASSY LH	1	E - Marked (Export)
25	B077865	HEADLAMP ASSY RH	1	E - Marked (Export)
26	658810	SPRING FIXING ON RIM HEAD LIGHT	2	
27	015900	TAPPING CUP HEAD SCREW	6	
28	B078286R	HS1_BULB (12 V _35/35W	6	
29	567593	BULB 12V 5W / LAMP 4W	2	
30	925581	INDICATOR LIGHT BULB 12V 21W AMBER COLOUR	2	
31	B076606	GROMMET	2	
32	B076605	PIN	2	

PLATE-29
PASSENGER BODY, HOOD FRAME & SEATS

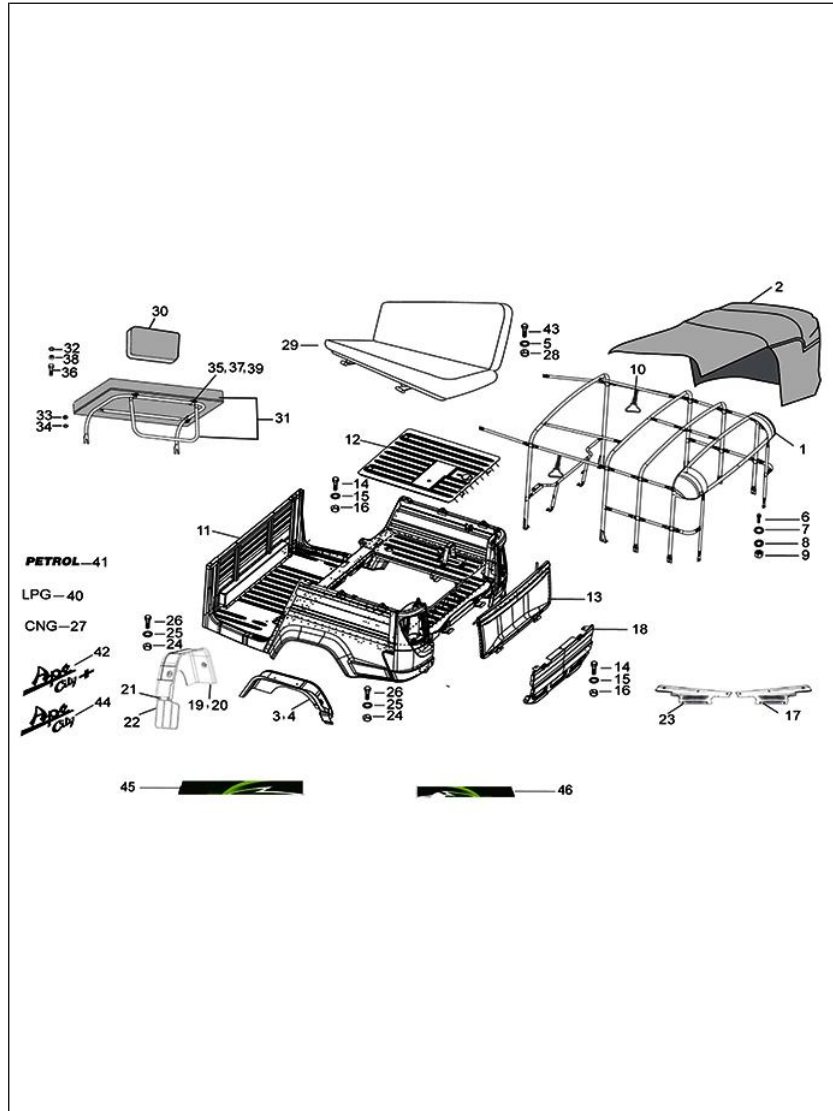


PLATE-29

PASSENGER BODY, HOOD FRAME & SEATS

Fig. No.	Part No.	Description	Qty	Remarks
1	KIT96045R	KIT HOOD FRAME ASSLY PROFILE APE CITY PLUS BSIV	1	
2	6B001360	SOFT TOP ASSLY GREEN -OPEN TYPE.(NON FR)	1	
2	B079214	SOFT TOP ASSLY YELLOW (APE CITY PLUS)	1	
2	B079215	SOFT TOP ASSEMBLY BLACK (APE CITY PLUS)	1	
3	6B000753	INNER MUDGUARD LOWER LH ASSLY	1	
4	6B000754	INNER MUDGUARD LOWER RH ASSLY	1	
5	016406	SPRING WASHER	2	
6	31088	HEX HD SCREW M6 X 16 CL 8.8 (811061623)	22	
7	003056	PLAIN WASHER	22	
8	016406	SPRING WASHER	22	
9	163205	HEX NUT	22	
10	B073598	HANDLE CANOPY STRAP	1	
11	B079094BW	PASS BODY APE CITY PLUS_BW	1	
11	B079094BY	PASS BODY APE CITY PLUS_BY	1	
11	B079094CB	PASS BODY APE CITY PLUS_CB	1	
11	B079094EG	PASS BODY APE CITY PLUS_EG	1	
11	B079094GY	PASS BODY APE CITY PLUS_GY	1	
11	B079094NB	PASS BODY APE CITY PLUS_NB	1	
11	B079094WR	PASS BODY APE CITY PLUS_WR	1	
12	660207ED	ENGINE INSPECTION DOOR 501 CNG/LPG	1	
13	B078256ED	TAIL GATE ASSY.	1	
14	645037	HEX HEAD SCREW M8 X 22 CL 8.8	2	
15	003058	PLAIN WASHER 15X8.4X1.5	2	
16	020108	HEXAGONAL NUT	2	
17	B075985	FOOT STEP COVER LH	1	
18	B077970ED	ASSLY VISUAL BARRIER BSIV	1	
19	B079201	REAR MUDGRD & MUDFLAP S/A RH CITY PLUS	1	
20	B079200	REAR MUDGRD & MUDFLAP S/A LH CITY PLUS	1	
21	142425	BUTTON	4	
22	B079003	MUDFLAP FOR REAR MUDGUARD	2	
23	B075984	FOOT STEP COVER RH	1	
24	020106	HEXAGONAL NUT	4	
25	013880	PLAIN WASHER	4	
26	D9165140620	BOLT WITH WASHER	4	
27	B041583	STICKER FOR CNG	1	

PLATE-29
PASSENGER BODY, HOOD FRAME & SEATS

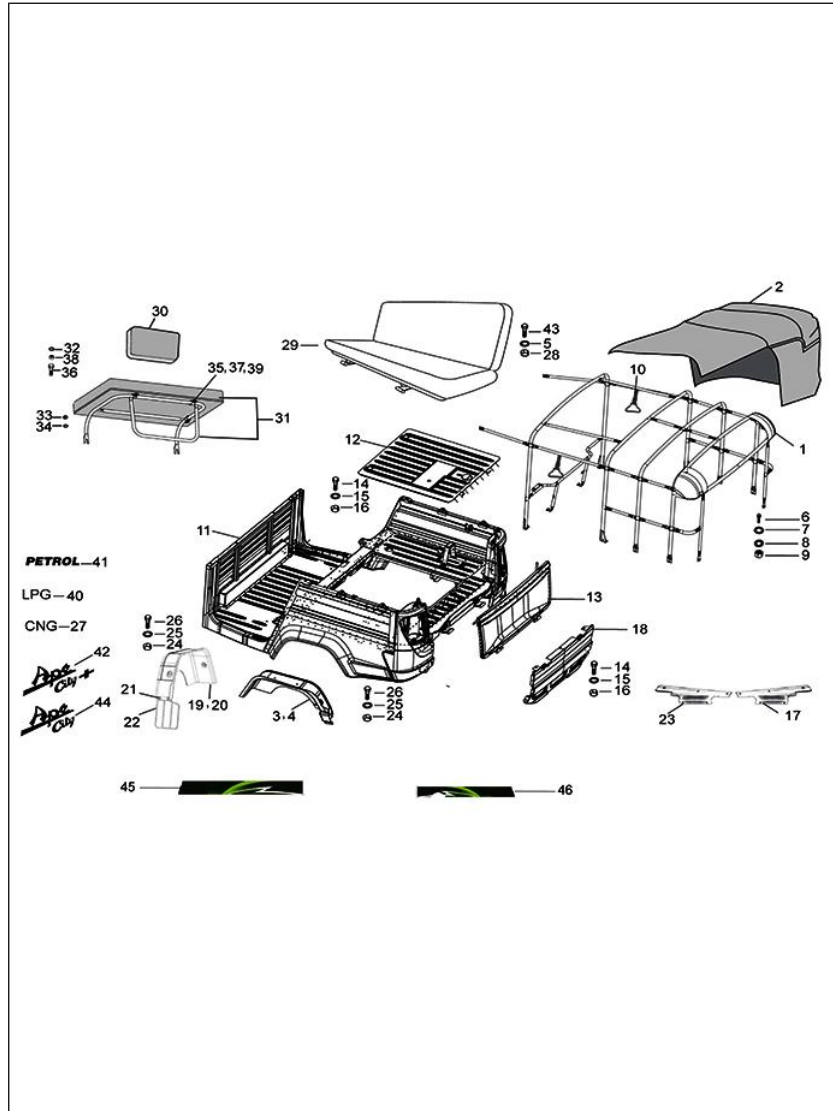


PLATE-29

PASSENGER BODY, HOOD FRAME & SEATS

Fig. No.	Part No.	Description	Qty	Remarks
28	020106	HEXAGONAL NUT	2	
29	B078320	PASSENGER SEAT ASSLY - MID BODY	1	
30	B074594	DRIVER BACK REST ASSY	1	
31	B075614	DRIVER SEAT ASSY COMPLETE	1	
32	013880	PLAIN WASHER	8	
33	16405	SPRING WASHER M5	8	
34	016408	SPRING WASHER	6	
35	003058	PLAIN WASHER 15X8.4X1.5	6	
36	31088	HEX HD SCREW M6 X 16 CL 8.8 (811061623)	4	
37	002383	PLAIN WASHER M20X8.5X2	4	
38	020108	HEXAGONAL NUT	2	
39	31119	HEX HD SCREW M8 X 25	2	
40	B041584	STICKER FOR LPG	1	
41	B003652	PLATE PETROL	1	
42	B078874	APE CITY PLUS STICKER (FRONT PANEL)	1	
43	31116	HEX HD. SCREW M8X16	2	
44	B078924	APE CITY STICKER (TAILGATE)	1	
45	6B001309	APE CITY PLUS SIDE PANEL DECAL LH	1	
46	6B001310	APE CITY PLUS SIDE PANEL DECAL RH	1	

PLATE-30
WIRING HARNESS

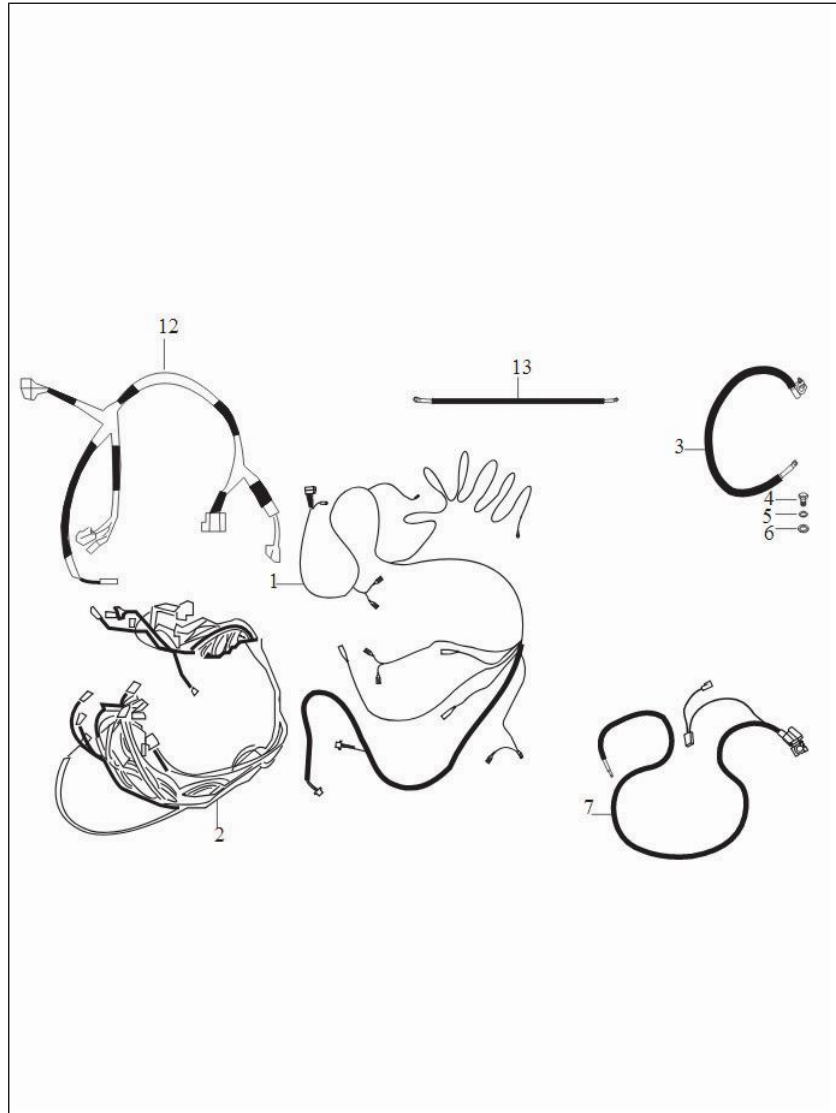


PLATE-30
WIRING HARNESS

Fig. No.	Part No.	Description	Qty	Remarks
1	B079067	W/HS MAIN PETROL (MID BODY)	1	
1	B079089	W/HS MAIN CNG (MID BODY)	1	
1	B079090	W/HS MAIN LPG (MID BODY)	1	
2	B077754	W/HS INST. PANEL_CITY PETROL(NEUTRAL)	1	
2	B077755	W/HS INST.PANEL_CITY GAS(NEUTRAL)	1	
3	644838R	BATTERY CABLE -VE	1	
4	31088	HEX HD SCREW M6 X 16 CL 8.8 (811061623)	1	
5	003056	PLAIN WASHER	1	
6	016406	SPRING WASHER	1	
7	B078213	BATTERY +VE CABLE-CUT STARTER MOTOR (LPG/CNG)	1	
8	B003110R	PIG TAIL FUEL TANK	1	
9	B073320R	PIG TAIL- CABIN LAMP (NEW)-PASSENGER	1	
10	B075328	GAS KIT W/HS -CNG - (RH SHIFT) (FOR SNORKEL VEH.)	1	
10	B075327	GAS KIT W/ HS- LPG- (RH SHIFT) (FOR SNORKEL VEH.)	1	
11	B023968	ENGINE WIRING HARNESS (PET) (CNG&LPG)	1	NI
12	B075443	WHS ENGINE (CITY 200) UPGRADE	1	
13	1D001894	GROUND WIRE	1	

PLATE-31
FRONT BRAKE ASSEMBLY

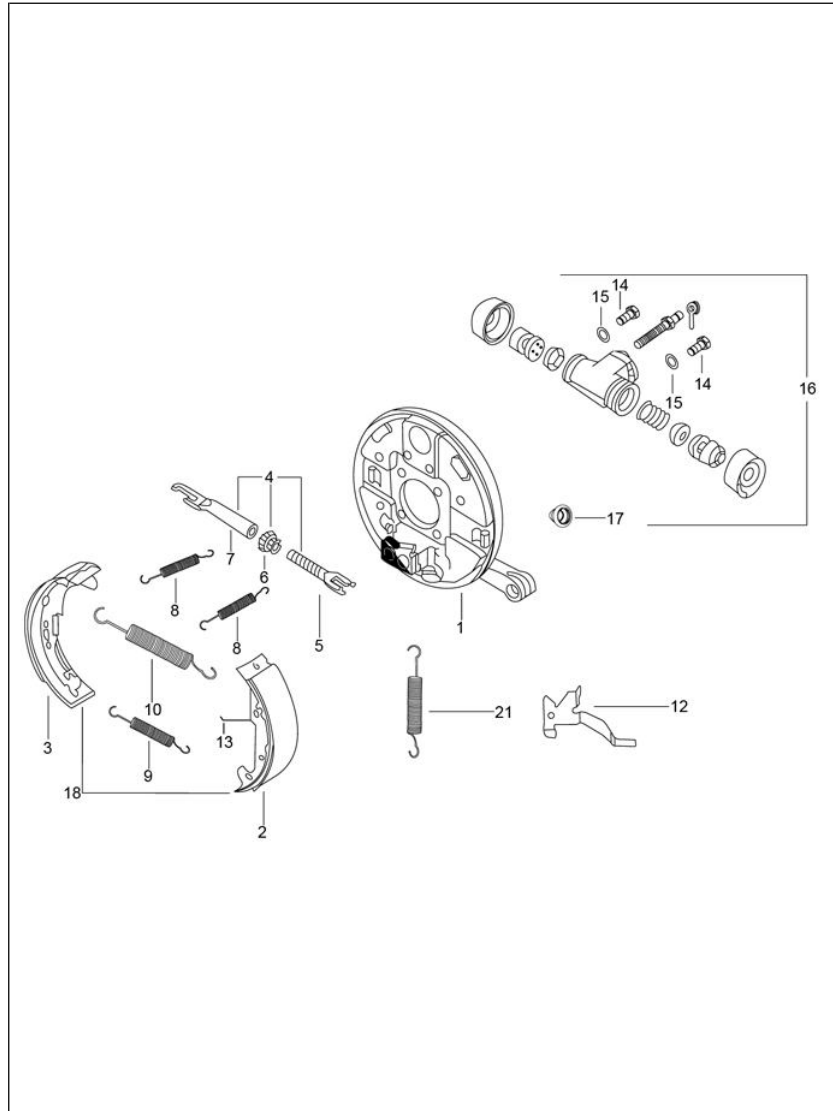


PLATE-31
FRONT BRAKE ASSEMBLY

Fig. No.	Part No.	Description	Qty	Remarks
1	616541	BRACKET WHEEL CARRIER WITH PI	1	
2	B003784	LEADING SHOE COMP WITH PIN LH ANL 1643	1	
3	652356	TRAILING SHOE COMPLETE	1	
4	179056	FORK ASSY LH	1	
5	178804	FORK FOR LH WHEEL	1	
6	178805	LH - GEAR	1	
7	178806	LH STRUT	1	
8	602497	JAWS STOP SPRINGS	2	
9	116088	SPRING SUPPORTING JAWS	1	
10	245038	SHOE RETURN SPRING	1	
11	178808R	LEVER RETURN SPRING	1	
12	178807	LEVER LH	1	
13	178823	JUMPER LH	1	
13	178824	JUMPER	1	
14	63440	BOLT M6X12	2	
15	12536	SPRING WASHER	2	
16	587616	BRAKE CYLINDER FR ASSLY (DIA. 22.225)	1	
17	925501	CAP (KBX P 6450225)	1	
18	940004	FRONT BRAKE SHOE KIT COMPRISING OF 2 & 3	1	
19	925521	MINOR KIT WHEEL CYL. FRT (KBX 1007)	1	NI

PLATE-32
REAR BRAKE ASSEMBLY

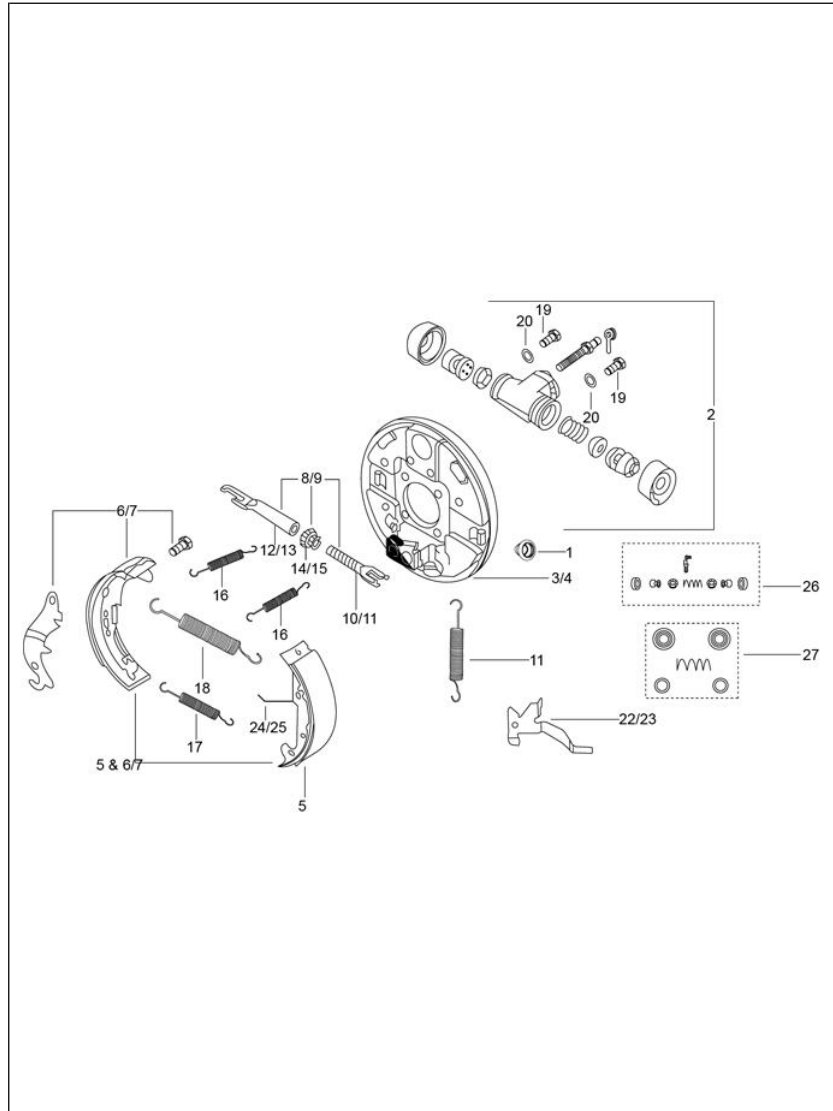


PLATE-32
REAR BRAKE ASSEMBLY

Fig. No.	Part No.	Description	Qty	Remarks
1	925501	CAP (KBX P 6450225)	1	
2	632148	WHEEL CYLINDER ASSY. FRONT DIA. (25.4 MM)	1	
3	602120	LEFT BRAKE JAW HOLDING CABLE PLATE	1	
4	602123	RIGHT BRAKE JAW HOLDING CABLE PLATE	1	
5	B003784	LEADING SHOE COMP WITH PIN LH ANL 1643	1	
6	652360	TRAILING SHOE WITH HBL LH	1	
7	652361	TRAILING SHOE WITH HBL RH	1	
8	179056	FORK ASSY LH	1	
9	179057	FORK ASSY. RH	1	
10	178804	FORK FOR LH WHEEL	1	
11	178818	RH FORK	1	
12	178806	LH STRUT	1	
13	178820	RH STRUT	1	
14	178805	LH - GEAR	1	
15	178819	RH GEAR	1	
16	602497	JAWS STOP SPRINGS	2	
17	116088	SPRING SUPPORTING JAWS	1	
18	245038	SHOE RETURN SPRING	1	
19	63440	BOLT M6X12	2	
20	12536	SPRING WASHER	2	
21	178808R	LEVER RETURN SPRING	1	
22	178807	LEVER LH	1	
23	178821	LEVER RH	1	
24	178823	JUMPER LH	1	
25	178824	JUMPER	1	
26	925573	MAJOR KIT	1	
27	925574	MINOR KIT WHL CYL. RR	1	
28	940005	REAR BRAKE SHOE SET L/H COMPRISING OF 5 & 7	1	NI
29	940006	REAR BRAKE SHOE SET R/H. COMPRISING OF 5 & 8	1	NI

PLATE-33
CABLES

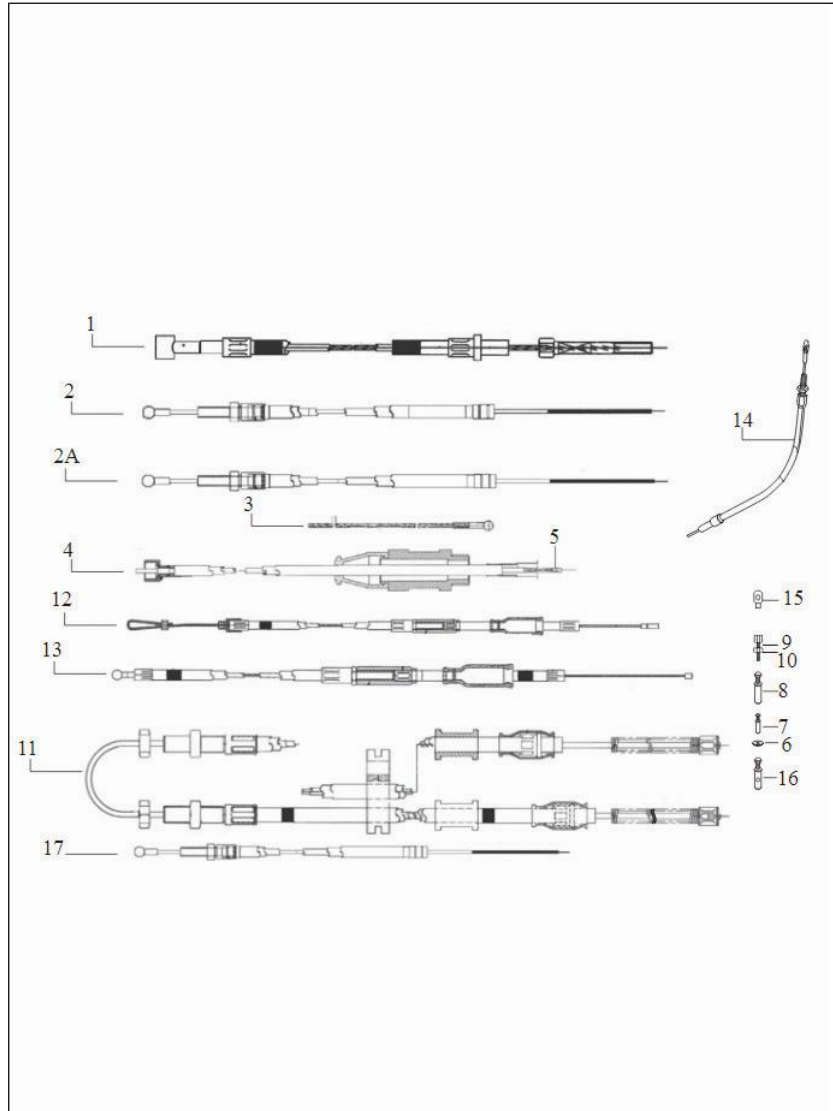


PLATE-33

CABLES

Fig. No.	Part No.	Description	Qty	Remarks
1	B075566	CLUTCH CONTROL TRANSMISSION ASSLY.	1	
2	B073469	CABLE,GEAR CONTROL ASSLY NO.2	1	
2A	B075716	CABLE,GEAR CONTROL ASSLY -WHITE	1	
3	6A000068	INNER GEAR CONTROL CABLE (BLACK/WHITE)	1	
4	B076208	SPEEDO CABLE	1	
5	NEW	INNER GEAR CONTROL CABLE (BLACK/WHITE)	1	
6	NS	NOT SERVICEABLE	1	
7	B076078	SCREW TERMINAL ASSLY(REVERSE CABLE)	1	
8	B076364	SCREW TERMINAL ASSY. - GEAR CONTROL	2	
9	197071	ADJUSTER SCREW M6	2	
10	020106	HEXAGONAL NUT	2	
11	B041774	PARKING BRAKE CABLE ASSY	1	
12	B075565	CABLE ASSLY CHOKE CONTROL	1	
13	B042356	ACCELERATOR CABLE WITH JONT (NEW)	1	
14	B076036	ASSLY REVERSE GEAR CONTROL CABLE	1	
14.1	6A000070	REVERSE GEAR INNER CABLE	1	
15	1A008804	REVERSE CABLE REACTION BRACKET	1	

PLATE-34
CNG KIT

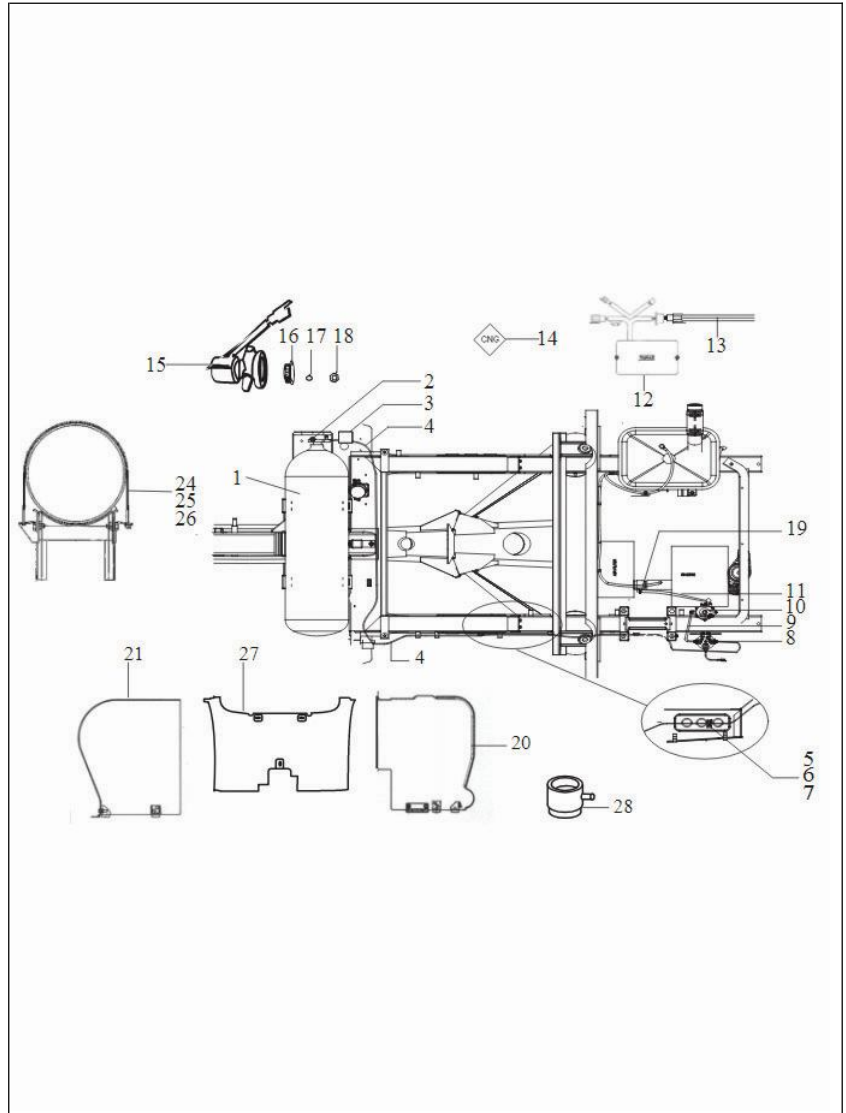


PLATE-34
CNG KIT

Fig. No.	Part No.	Description	Qty	Remarks
1	B042657R	CNG CYLINDER M/S EKC WITH OMB VALVE	1	
2	B041784	CNG PRESSURE GAUGE WITH SENSOR	1	
3	B041783	FIRST STAGE REDUCTION UNIT (HPR)	1	
4	B079364	CNG FLEXIBLE HOSE ASSLY (HPR TO FSV)	1	
5	B024194	CLAMP	3	
6	643884	ALLEN SCREW	3	
8	B075638	FILTER SOLENOID VALVE (CNG)	1	
9	B024133	HOSE SOLENOID TO LPR	1	
10	6A000184	2 STAGE CNG REGULATOR	1	
11	B079363	LOW PRESS CNG HOSE	1	
12	B075862	ECU_ (W/O LED & SW) _CITY BS IV_ CNG	1	
13	B075328	GAS KIT W/HS -CNG - (RH SHIFT) (FOR SNORKEL VEH.)	1	
14	643850	STICKER	2	
15	932273	COIL ASSEMBLY	1	
16	932274	PAPER FILTER	1	
17	932275	O RING	1	
18	932276	DRAIN PLUG	1	
19	B075638	FILTER SOLENOID VALVE (CNG)	1	
20	B076203	CYLINDER COVER - CNG LH	1	
21	B076201	CYLINDER COVER - RH-COMMON CNG/LPG	1	
22	925766	SPIGOT(K-0401-19-020)	1	
23	B042199	CLIP	2	
24	659862	STRAP ASSLY (CNG)	2	
25	604856	RUBBER STRAP LOWER	2	
26	659857	RUBBER STRAP UPPER	2	
27	B076200	CYLINDER COVER - CENTRAL-COMMON CNG/LPG	1	CNG/LPG
28	6A000184	2 STAGE CNG REGULATOR	1	

PLATE-35
TWO STAGE CNG REGULATOR

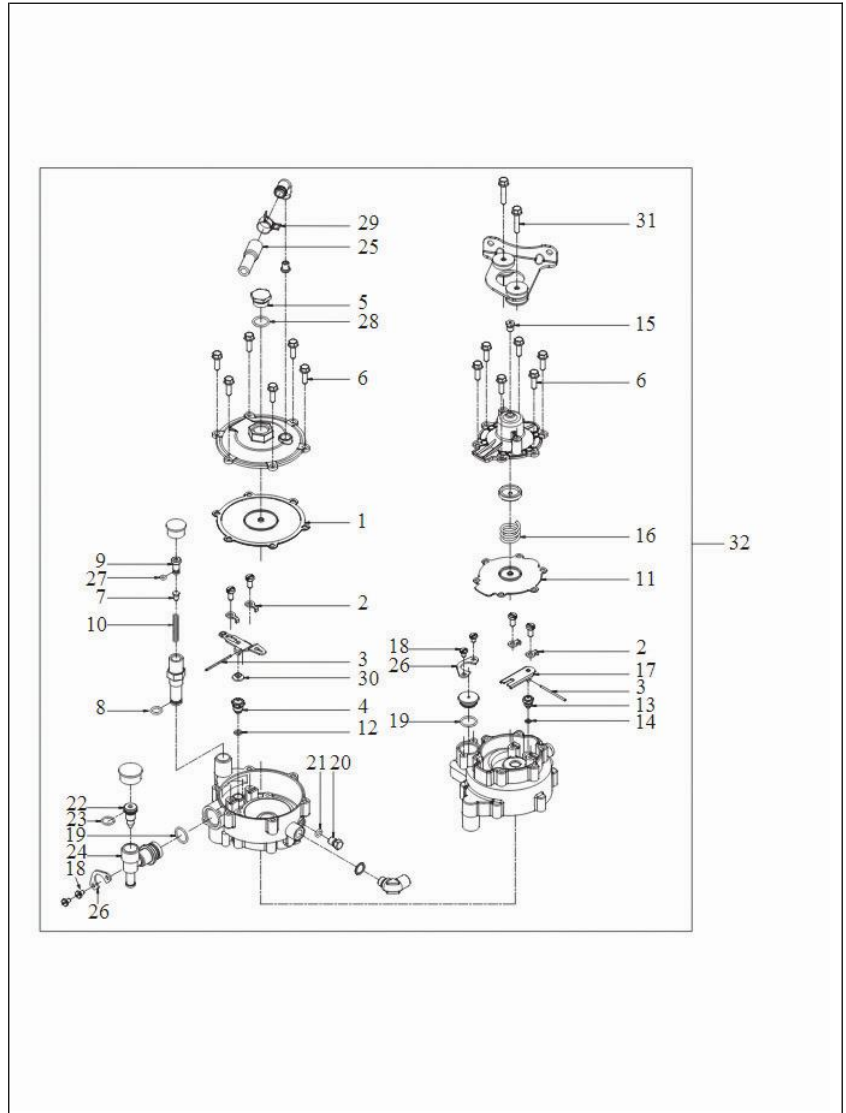


PLATE-35
TWO STAGE CNG REGULATOR

Fig. No.	Part No.	Description	Qty	Remarks
1	932207	DIAPHRAGM SUB ASSY.	1	
2	932208	WASHER	4	
3	932210	LEVER PIN	1	
4	932211	SEAT	1	
5	932229	PLUG	1	
6	932232	FLANGE SCREW	12	
7	932212	SPRING GUIDE	1	
8	925781	O RING	1	
9	932226	IDLE SCREW	1	
10	932213	SPRING	1	
11	932215	DIAPHRAGM SUB ASSY.	1	
12	932214	WASHER	1	
13	932218	SEAT	1	
14	932219	WASHER	1	
15	932230	BREATH-1	1	
16	932216	SPRING	1	
17	932217	LEVER SUB ASSY.	1	
18	932220	CHEESE HEAD SCREW	1	
19	932221	O RING	1	
20	932222	PLUG	1	
21	932223	O RING	1	
22	932225	FLOW ADJUSTING SCREW	1	
23	929929	O RING	1	
24	932224	FLOW CONTROL BODY	1	
25	932227	BREATH-1 HOSE	1	
26	932228	CLAMP	2	
27	932240	O RING	1	
28	932231	O RING	1	
29	932254	CLIP	1	
30	925768	PAD	1	
31	932255	FLANGE SCREW	1	
32	B076434	2 STAGE CNG REGULATOR	1	

PLATE-36
FIRST STAGE REDUCTION UNIT

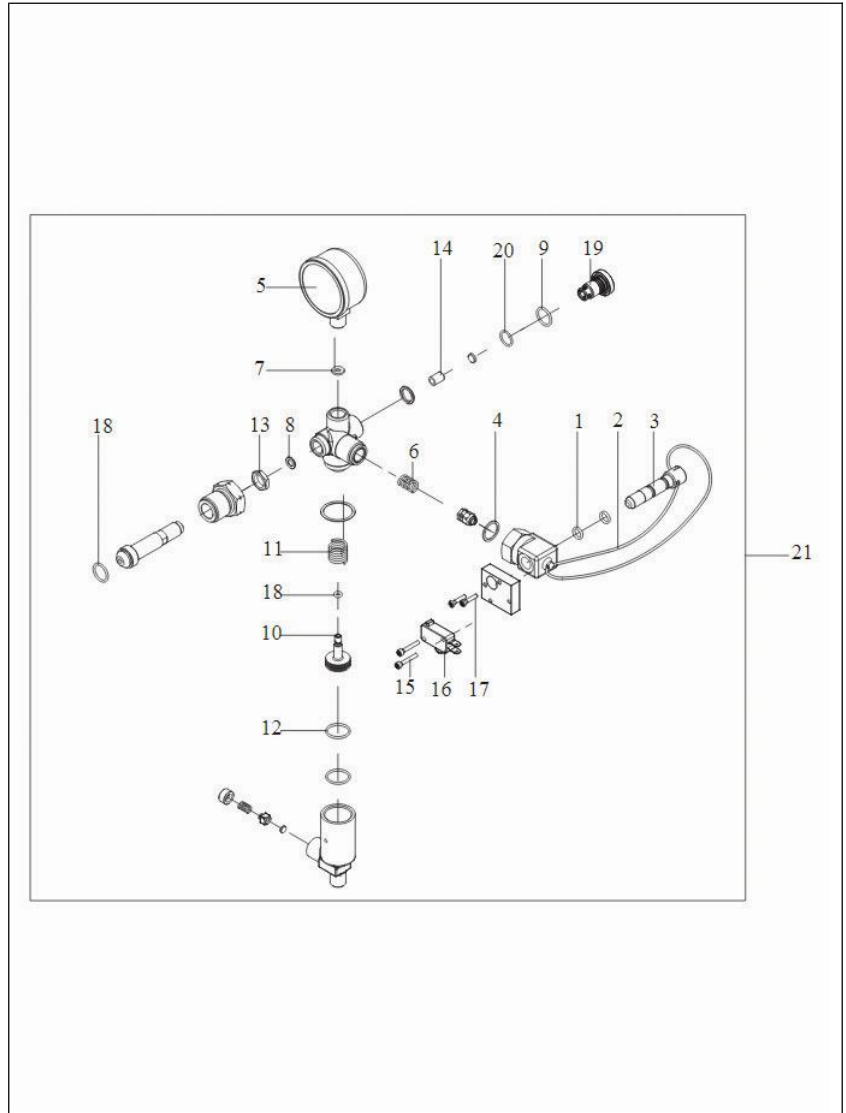


PLATE-36

FIRST STAGE REDUCTION UNIT

Fig. No.	Part No.	Description	Qty	Remarks
1	929931	O RING	2	
2	929933	STRING	1	
3	661399	DUST PLUG	1	
4	929934	SEALING WASHER	1	
5	B041784	CNG PRESSURE GAUGE WITH SENSOR	1	
6	929935	SPRING	1	
7	932233	WASHER	1	
8	929936	WASHER	1	
9	932235	O RING	2	
10	932237	PISTON SUB ASSY.	1	
11	932236	SPRING	1	
12	932238	O RING	1	
13	932239	LOCK NUT	1	
14	932243	FILTER	1	
15	929938	PHILIPS HEAD SCREW M3 X 20L	2	
16	929939	MICROSWITCH	1	
17	929940	PHILIPS HEAD SCREW M3 X 15L	2	
18	932240	O RING	1	
19	932241	RETAINER	1	
20	932242	ORING	1	
21	B041783	FIRST STAGE REDUCTION UNIT (HPR)	1	

PLATE-37
LPG KIT

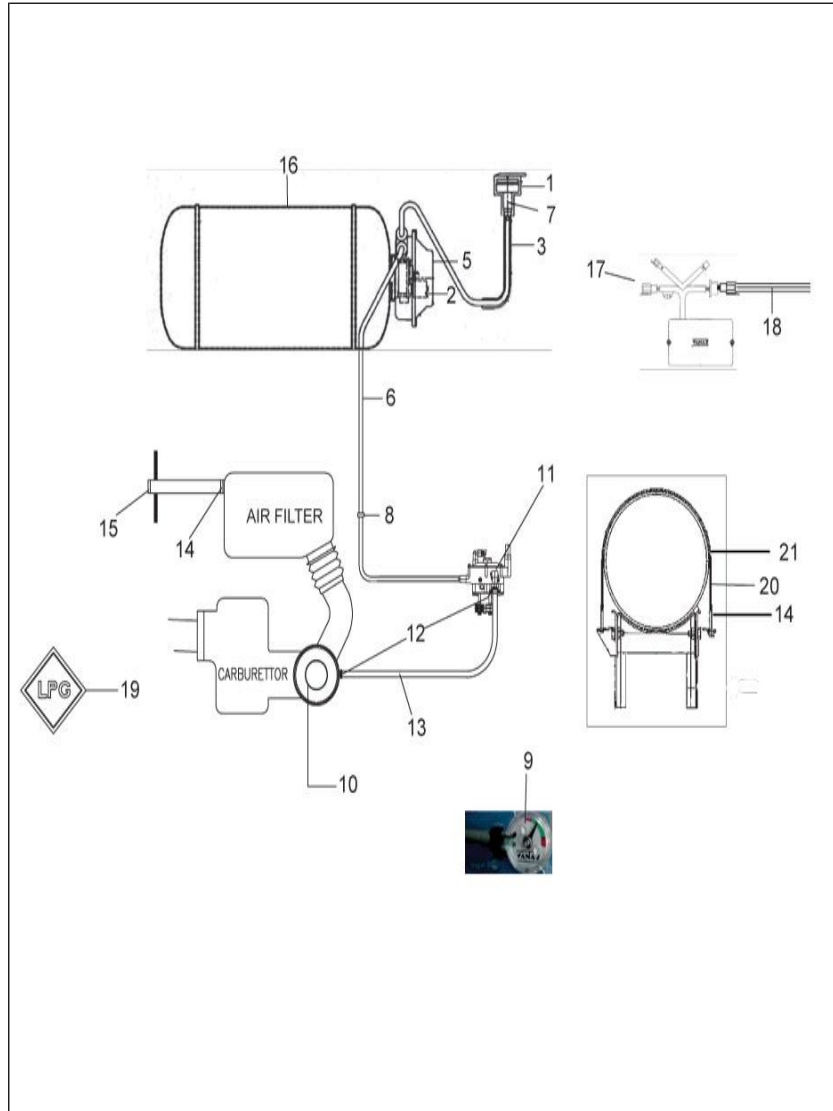


PLATE-37

LPG KIT

Fig. No.	Part No.	Description	Qty	Remarks
1	B006286	FILLER CONNECTOR WITH CAP	1	
2	6A000158	MULTI FUNCTION VALVE, 20.6LTR LPG CYL.	1	
3	B041491	VENT HOSE ASSY - 1	1	
4	B073084	SEAL BOX	6	
5	B073084	SEAL BOX	1	
6	B079168	LPG FLEXIBLE HOSE ASSLY (MFV TO LPR)	1	
7	B006287	HOUSING ASSEMBLY FOR FILLER CONNECTOR	2	
8	B024147	CLIP	2	
9	B077513	CONTENT GAUGE LPG (ZERO DEGREE)	1	
10	B076437	MIXER ASSLY LPG	1	
11	B077319	ASSEMBLY 2 STAGE REGULATOR LPG	1	
12	B042199	CLIP	1	
13	B079365	LOW PRESSURE HOSE LPK TO MIXER	1	
14	6A000131	RUBBER PAD LOWER	2	
16	6A000124	LPG CYLINDER- 20.6 LTR	1	
17	B075861	ECU	1	
18	B075327	GAS KIT W/ HS- LPG- (RH SHIFT) (FOR SNORKEL VEH.)	1	
19	643882	STICKER(VANAZ PT NO K-0401-13)	1	
20	659857	RUBBER STRAP UPPER	2	
21	B075622	RUBBER STRAP	2	

PLATE-38
TWO STAGE LPG REGULATOR

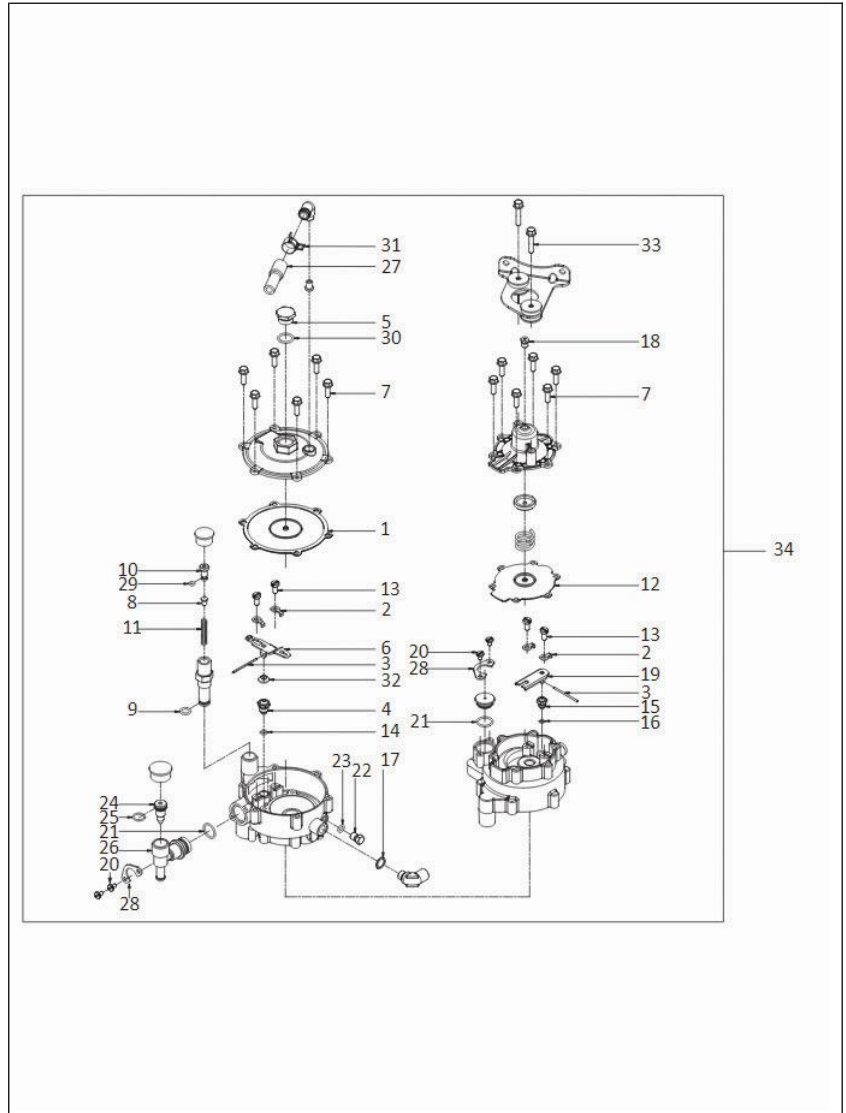


PLATE-38
TWO STAGE LPG REGULATOR

Fig. No.	Part No.	Description	Qty	Remarks
1	932207	DIAPHRAGM SUB ASSY.	1	
2	932208	WASHER	4	
3	932210	LEVER PIN	1	
4	932263	SEAT	1	
5	932229	PLUG	1	
6	932209	LEVER SUB ASSY	1	
7	932232	FLANGE SCREW	12	
8	932212	SPRING GUIDE	1	
9	925781	O RING	1	
10	932226	IDLE SCREW	1	
11	932264	SPRING	1	
12	932215	DIAPHRAGM SUB ASSY.	1	
13	661909	CHEESE HEAD SCREW	4	
14	932214	WASHER	1	
15	932218	SEAT	1	
16	932219	WASHER	1	
17	920008	WASHER	1	
18	932230	BREATH-1	1	
19	932217	LEVER SUB ASSY.	1	
20	932220	CHEESE HEAD SCREW	1	
21	932221	O RING	1	
22	932222	PLUG	1	
23	925783	O RING	1	
24	932225	FLOW ADJUSTING SCREW	1	
25	929929	O RING	1	
26	932224	FLOW CONTROL BODY	1	
27	932227	BREATH-1 HOSE	1	
28	932228	CLAMP	2	
29	932240	O RING	1	
30	932231	O RING	1	
31	932270	CLIP	1	
32	925768	PAD	1	
33	932255	FLANGE SCREW	1	
34	B077319	ASSEMBLY 2 STAGE REGULATOR LPG	1	

PLATE-39
TOOLS & ACCESSORIES

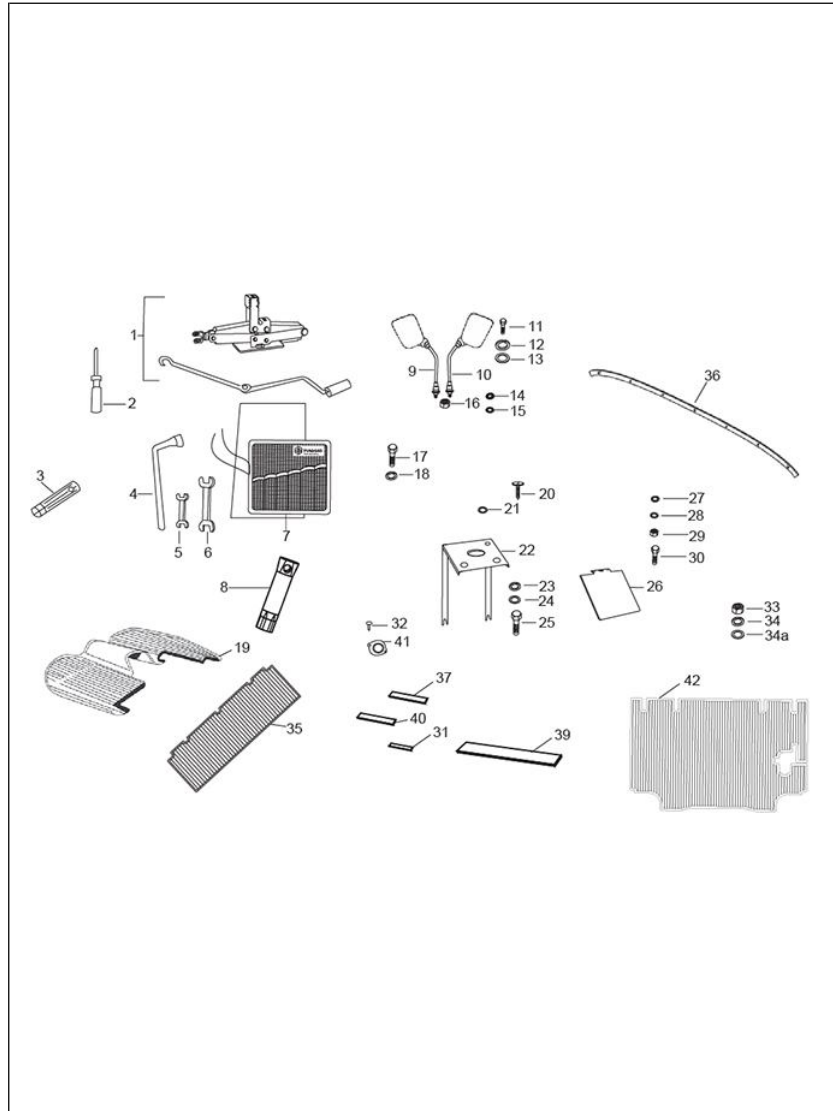


PLATE-39

TOOLS & ACCESSORIES

Fig. No.	Part No.	Description	Qty	Remarks
1	B076650R	JACK ASSLY	1	
2	567458	SCREW DRIVER (-)&(+) 80	1	
3	675378	SOCKET WRENCH 16	1	
4	B076142	L TYPE SPANNER - A/F 16	1	
5	567454	DOUBLE END SPANNER7/8	1	
6	567456	DOUBLE END SPANNER 12/14	1	
7	B041876	TOOL BAG	1	
8	B041787	SPARK PLUG SPANNER	1	
9	B078716	OUTER REAR VIEW MIRROR LH ASSLY	1	
10	B078715	OUTER REAR-VIEW MIRROR RH ASSLY.	1	
11	31118	SCREW M8X20	2	
12	016408	SPRING WASHER	6	
13	003058	PLAIN WASHER 15X8.4X1.5	20	
14	016408	SPRING WASHER	4	
15	003058	PLAIN WASHER 15X8.4X1.5	4	
16	020108	HEXAGONAL NUT	4	
17	31116	HEX HD. SCREW M8X16	1	
18	016408	SPRING WASHER	1	
19	B076410	CARPET CABIN FRONT - LPG	1	
19	B074060	FRONT CARPET (PETROL)	1	
19	B076270	CARPET CABIN FRONT-CNG	1	
20	15911	PAN SELF TAP SCREW 8SG X 16 AB	1	
21	16670	PLAIN WASHER 12X4.5X1	1	
22	B075580	BRACKET S/A FAREMETER	1	
23	016408	SPRING WASHER	4	
24	003058	PLAIN WASHER 15X8.4X1.5	4	
25	31118	SCREW M8X20	4	
26	643661	LICENSE PLATE MTG. BKT.	1	
27	13861	PLAIN WASHER 20X8.2X2.5	2	
28	12540	SPRING WASHER M8	2	
29	020108	HEXAGONAL NUT	2	
30	30072	HEX HEAD BOLT M8 X 35	2	
31	B074657	BEEEDING DOME SIDE PILLAR (LPG/CNG)	2	
32	008451	PAN SELF TP SCREW 6 SGX13 AB	4	
33	020106	HEXAGONAL NUT	12	

PLATE-39
TOOLS & ACCESSORIES

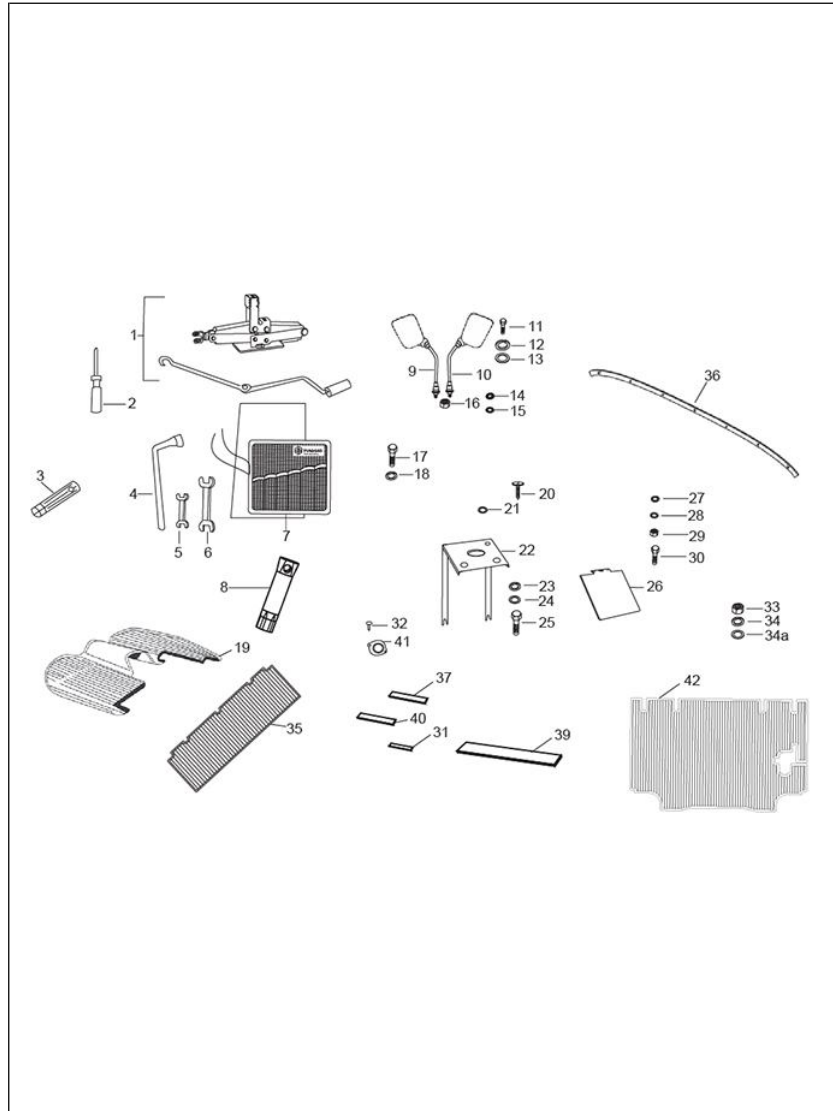


PLATE-39

TOOLS & ACCESSORIES

Fig. No.	Part No.	Description	Qty	Remarks
34	016406	SPRING WASHER	12	
34a	013880	PLAIN WASHER	12	
35	B041225	CARPET PASSENGER FOOT REST	1	
36	B073603	UPPER STRIP CANPOY MTG	1	
37	B024474	BEADDING LINING	2	
38	B078316	LATERAL PROFILE	2	NI
39	B006792	BEADING (INSULATION ENG. COMP. COVER)	2	
40	B074637	BEEDING DOME SIDE PILLAR (PET/DLS)	2	
41	B003076	COVER SHOCKER MTG. HOLE	2	
42	B078096	PASS-SPACE REAR CARPET (V.E.)(CNG/LPG)	1	CNG/LPG
42	6B000401	PASSENGER REAR CARPET-PTL/DLS	1	PTL/DLS

PLATE-40
TOOL KIT



**PLATE-40
TOOL KIT**

Fig. No.	Part No.	Description	Qty	Remarks
1	441025	CLUSTER GEAR NR BEARING PRESS.	1	
2	441026	CLUSTER GEAR NR BEARING REMOVAL	1	
3	441027	MAIN SHAFT NR BEARING PRESSING.	1	
4	441028	OIL SEAL ON MAIN SHAFT BALL BRG PRESSING.	1	
5	441029	TAPPET SETTING TOOL.	1	
6	441030	OIL PUMP DRIVING GEAR HOLDING TOOL.	1	
7	441031	PISTON TDC LOCATION.	1	
8	441032	HEX NUT ON CRANKSHAFT HOLDING TOOL.	1	
9	441033	OIL FILTER REMOVING & FITTING TOOL.	1	
10	441034	SELECTION OF BP KIT GASKET.	1	
11	441035	RING FITMENT ON PISTON.	1	
12	441036	PISTON ASSLY HOLDING TOOL.	1	
13	441037	BP KIT COMPRESSION (PISTON RING). TOOL.	1	
14	441038	PINON SHAFT BALL BEARING PRESSING TOOL.	1	
15	441041	SPARK PLUG REMOVAL TOOL.	1	
16	441042	MAGNETO ROTOR HOLDING TOOL.	1	
17	441043	CRANK SHAFT HOLDING TOOL.	1	
18	441044	PINION SHAFT FITTING TOOL.	1	
19	441045	STEERING COLUMN LOCKNUT TIGHTING TOOL.	1	
20	441046	VALVE SPRING COMPRESSOR TOOL.	1	
21	441047	MAGNETO ROTOR PULLER.	1	
22	925704	IDLER GEAR BUSH PRESSING TOOL. (1T).	1	
23	925406	IDLER GEAR BUSH REMOVAL TOOL. (1T).	1	
24	926009	DIFFERENTIAL CAGE BALL BRG PRESSING (1T).	1	
25	920209	CLUTCH ASSLY HOLDING TOOL (1T).	1	
26	920401	DIFFERENTIAL GEAR ASSLY REMOVAL (1T).	1	
27	SST96030	STATOR SUPPORT PLATE OIL SEAL PRESSING DOLLEY	1	
28	SST96031	CLUSTER SHAFT OIL SEAL PRESSING DOLLEY	1	
29	SST96032	PRIMARY GEAR HOLDING TOOLS	1	
30	SST96033	SPEEDO WORM GEAR REMOVAL TOOLS	1	
31	SST96034	CLUTCH HOLDING TOOLS STEP 2 BSIV	1	

PLATE-20.1
FUEL TANK/FILTER/FUEL PIPES - GAS

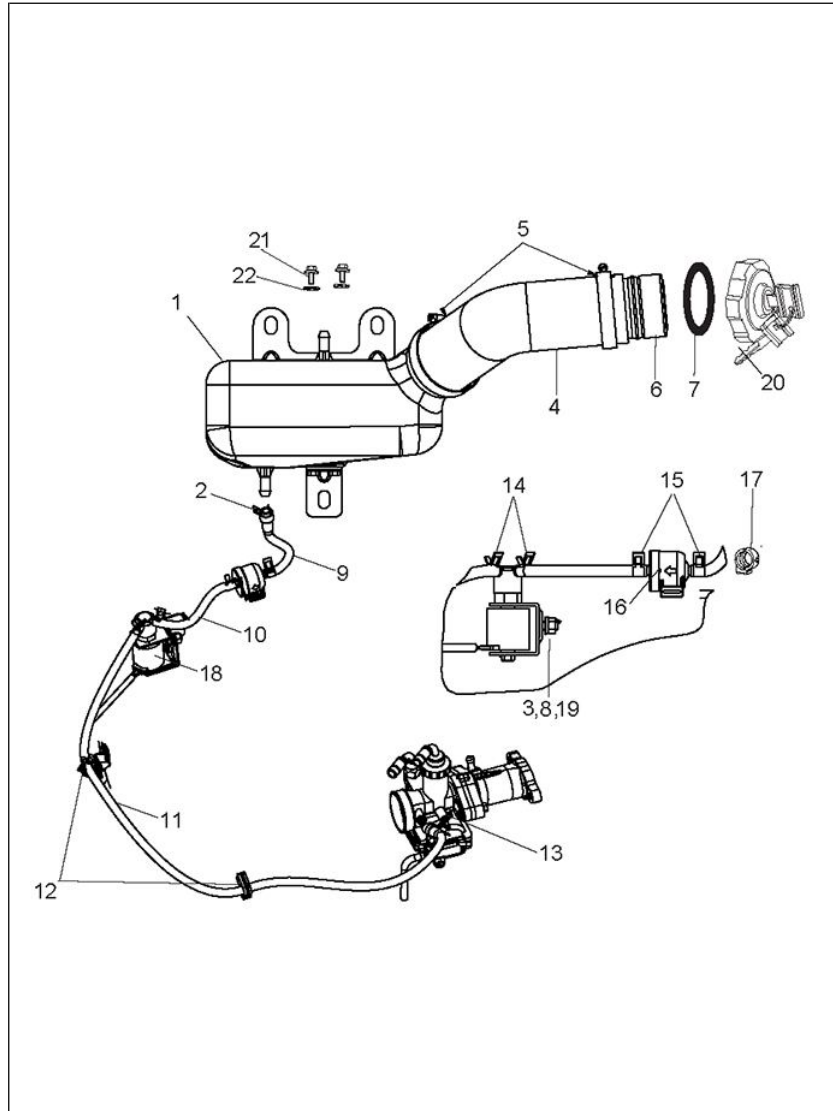


PLATE-20.1

FUEL TANK/FILTER/FUEL PIPES - GAS

Fig. No.	Part No.	Description	Qty	Remarks
1	B078964	ASSLY FUEL TANK (3L) WITH BKT	1	
2	B075707	SPRING BAND HOSE CLAMP (DIA 10	2	
3	003056	PLAIN WASHER	2	
4	B078930	HOSE PLASTIC FUEL TANK	2	
5	B041853	HOSE CLIP (SIZE : 65A)	2	
6	B078821	ASSY TUBE FUEL TANK FILLER	2	
7	644299	COLLAR	1	
8	016406	SPRING WASHER	2	
9	B079105	FUEL PIPE-FUEL TANK TO FUEL FILTER	1	
10	B079059	FUEL PIPE-FUEL FILTER TO FEED PUMP	1	
11	B079091	FUEL PIPE, FEED PUMP TO CARBURATOR	1	
12	216369	CLAMP	1	
13	B041852	SPRING BAND HOSE CLIP (DIA. 9.4)	2	
14	B041798	SPRING BAND HOSE CLAMP DIA 8.6	2	
15	B003282	HOSE CLIP (DIA.7) (PETROL & CNG/LPG)	2	
16	B074593	COMPACT FUEL STRAINER (3 L/H)	1	
17	B075790	FUEL FILTER SUPPORT	1	
18	B075638	FILTER SOLENOID VALVE (CNG)	1	
19	020106	HEXAGONAL NUT	2	
20	B024168	P.T.CAP ASSLY WITH KEY	1	
21	661925	PHILIP PAN HEAD SCREW (M5 X 0.8 X 1.6)	4	
22	003054	PLAIN WASHER	4	

PARTS INDEX

ApeCityPlus_PTL_CNG_LPG

PART NO	BLOCK	PART NO	BLOCK	PART NO	BLOCK
---	PLATE-3	006650	PLATE-23	016408	PLATE-23
000267	PLATE-12	006733	PLATE-24	016408	PLATE-26
002139	PLATE-17	006965	PLATE-27	016408	PLATE-26
002383	PLATE-18	006965	PLATE-27	016408	PLATE-29
002383	PLATE-18	008080	PLATE-22	016410	PLATE-18
002383	PLATE-21	008080	PLATE-28	016410	PLATE-18
002383	PLATE-29	008451	PLATE-39	016410	PLATE-23
003054	PLATE-20.1	008451	PLATE-27	016410	PLATE-24
003054	PLATE-21	008771	PLATE-24	016410	PLATE-25
003054	PLATE-27	009101	PLATE-10	016410	PLATE-6
003055	PLATE-20	009101	PLATE-17	018639	PLATE-9
003055	PLATE-25	013880	PLATE-39	018639	PLATE-13
003055	PLATE-26	013880	PLATE-9	018639	PLATE-7
003055	PLATE-27	013880	PLATE-26	020105	PLATE-20
003055	PLATE-27	013880	PLATE-28	020105	PLATE-27
003055	PLATE-27	013880	PLATE-29	020105	PLATE-27
003055	PLATE-28	013880	PLATE-29	020105	PLATE-27
003056	PLATE-20.1	015900	PLATE-28	020106	PLATE-39
003056	PLATE-11	016406	PLATE-39	020106	PLATE-20.1
003056	PLATE-27	016406	PLATE-20.1	020106	PLATE-26
003056	PLATE-27	016406	PLATE-11	020106	PLATE-27
003056	PLATE-28	016406	PLATE-18	020106	PLATE-27
003056	PLATE-29	016406	PLATE-25	020106	PLATE-28
003056	PLATE-30	016406	PLATE-26	020106	PLATE-28
003058	PLATE-39	016406	PLATE-27	020106	PLATE-29
003058	PLATE-39	016406	PLATE-27	020106	PLATE-29
003058	PLATE-39	016406	PLATE-27	020106	PLATE-33
003058	PLATE-21	016406	PLATE-6	020108	PLATE-39
003058	PLATE-21	016406	PLATE-28	020108	PLATE-39
003058	PLATE-21	016406	PLATE-29	020108	PLATE-18
003058	PLATE-26	016406	PLATE-29	020108	PLATE-18
003058	PLATE-29	016406	PLATE-30	020108	PLATE-18
003058	PLATE-29	016408	PLATE-39	020108	PLATE-21
003068	PLATE-23	016408	PLATE-39	020108	PLATE-21
005969	PLATE-26	016408	PLATE-39	020108	PLATE-26
006066	PLATE-23	016408	PLATE-39	020108	PLATE-26
006066	PLATE-24	016408	PLATE-11	020108	PLATE-29
006078	PLATE-22	016408	PLATE-18	020108	PLATE-29
006078	PLATE-27	016408	PLATE-18	031058	PLATE-27
006078	PLATE-27	016408	PLATE-18	031058	PLATE-27
006173	PLATE-26	016408	PLATE-20	078307	PLATE-28
006410	PLATE-6	016408	PLATE-21	107718	PLATE-24
006411	PLATE-26	016408	PLATE-21	107827	PLATE-23

PART NO	BLOCK	PART NO	BLOCK	PART NO	BLOCK
107870	PLATE-23	12790	PLATE-23	178804	PLATE-32
107871	PLATE-24	128633	PLATE-23	178805	PLATE-31
108785	PLATE-26	132129	PLATE-5	178805	PLATE-32
108834	PLATE-18	132134	PLATE-5	178806	PLATE-31
108873	PLATE-24	132136R	PLATE-5	178806	PLATE-32
108874	PLATE-24	132244	PLATE-5	178807	PLATE-31
109064	PLATE-24	136434	PLATE-24	178807	PLATE-32
109066	PLATE-24	136451R	PLATE-23	178808R	PLATE-31
109117	PLATE-24	136888	PLATE-23	178808R	PLATE-32
109227	PLATE-25	136916	PLATE-26	178818	PLATE-32
109265	PLATE-24	137235	PLATE-24	178819	PLATE-32
109404	PLATE-25	138237	PLATE-26	178820	PLATE-32
109635	PLATE-25	13861	PLATE-39	178821	PLATE-32
109775	PLATE-25	13861	PLATE-21	178823	PLATE-31
109892	PLATE-23	142425	PLATE-29	178823	PLATE-32
111353	PLATE-9	150579	PLATE-24	178824	PLATE-31
111356	PLATE-6	151924	PLATE-23	178824	PLATE-32
111498	PLATE-6	152580	PLATE-23	179056	PLATE-31
112867R	PLATE-6	152580	PLATE-24	179056	PLATE-32
112898	PLATE-9	15335	PLATE-18	179057	PLATE-32
113278	PLATE-6	15478	PLATE-18	180431	PLATE-24
116088	PLATE-31	15594	PLATE-23	183511	PLATE-6
116088	PLATE-32	15618	PLATE-25	18630	PLATE-20
117401	PLATE-9	157103	PLATE-23	196302	PLATE-23
117402	PLATE-9	157103	PLATE-23	197071	PLATE-33
120164019	PLATE-2	157716	PLATE-28	198618P	PLATE-6
120170018	PLATE-2	15911	PLATE-39	1A000024	PLATE-13
12136	PLATE-27	15996	PLATE-27	1A000402	PLATE-16
12138	PLATE-25	16319	PLATE-25	1A000542	PLATE-7
122032014	PLATE-17	163205	PLATE-29	1A000612	PLATE-9
125181	PLATE-25	16405	PLATE-19	1A000708	PLATE-2
125289	PLATE-24	16405	PLATE-19	1A000708	PLATE-9
12536	PLATE-31	16405	PLATE-20	1A000742	PLATE-16
12536	PLATE-32	16405	PLATE-27	1A000831	PLATE-13
12540	PLATE-39	16405	PLATE-29	1A001073	PLATE-12
12546	PLATE-27	16408	PLATE-19	1A001187R	PLATE-16
126902	PLATE-25	165121014	PLATE-9	1A001794	PLATE-9
127012019	PLATE-2	16620	PLATE-25	1A001795	PLATE-9
127013013	PLATE-2	16626	PLATE-25	1A002358	PLATE-14
127016015	PLATE-9	16670	PLATE-39	1A002661	PLATE-16
127111011	PLATE-6	16670	PLATE-20	1A002685	PLATE-9
127185012	PLATE-2	178610	PLATE-18	1A002691	PLATE-11
127460010	PLATE-2	178804	PLATE-31	1A002691	PLATE-13

PART NO	BLOCK	PART NO	BLOCK	PART NO	BLOCK
1A003060	PLATE-10	1A009353	PLATE-27	1A011066	PLATE-12
1A005176	PLATE-6	1A009586	PLATE-16	1A011246	PLATE-9
1A005178	PLATE-10	1A009587	PLATE-16	1A011286	PLATE-17
1A006115	PLATE-17	1A009588	PLATE-16	1A011287	PLATE-17
1A006545	PLATE-11	1A009589	PLATE-16	1A011288	PLATE-17
1A006701	PLATE-10	1A009590	PLATE-16	1A011289	PLATE-17
1A006740	PLATE-13	1A009591	PLATE-16	1A011341	PLATE-17
1A006742	PLATE-13	1A009592	PLATE-16	1A011500	PLATE-9
1A006743	PLATE-13	1A009593	PLATE-16	1A011716	PLATE-8
1A006751	PLATE-16	1A009621R	PLATE-15	1A011914	PLATE-7
1A006812	PLATE-4	1A009632	PLATE-7	1A012011	PLATE-10
1A006856	PLATE-9	1A009641	PLATE-8	1A012039	PLATE-10
1A006858	PLATE-16	1A009762	PLATE-4	1A012150	PLATE-3
1A006877	PLATE-4	1A010001	PLATE-13	1A012151	PLATE-3
1A006899	PLATE-14	1A010016	PLATE-10	1A012152	PLATE-3
1A006901	PLATE-14	1A010023	PLATE-7	1A012153	PLATE-3
1A006970	PLATE-17	1A010024	PLATE-7	1A012154	PLATE-3
1A006988	PLATE-12	1A010025	PLATE-7	1A012155	PLATE-3
1A007026	PLATE-9	1A010026	PLATE-7	1A012156	PLATE-3
1A007028	PLATE-9	1A010035	PLATE-10	1A012157	PLATE-3
1A007029	PLATE-17	1A010088	PLATE-7	1A012158	PLATE-3
1A007047	PLATE-4	1A010089	PLATE-7	1A012159	PLATE-3
1A007051	PLATE-6	1A010090	PLATE-7	1A012160	PLATE-3
1A007152	PLATE-8	1A010091	PLATE-7	1A012161	PLATE-3
1A007409	PLATE-7	1A010092	PLATE-7	1A012181	PLATE-17
1A007501	PLATE-6	1A010095	PLATE-7	1A012182	PLATE-10
1A007565	PLATE-14	1A010096	PLATE-7	1A012334	PLATE-10
1A007605	PLATE-6	1A010097	PLATE-7	1A012334	PLATE-2
1A007774	PLATE-9	1A010098	PLATE-7	1A012846	PLATE-17
1A008077	PLATE-2	1A010100	PLATE-7	1A013013	PLATE-14
1A008397	PLATE-14	1A010101	PLATE-7	1A013046	PLATE-17
1A008545	PLATE-5	1A010102	PLATE-7	1A013159	PLATE-12
1A008547	PLATE-6	1A010119	PLATE-3	1A014399	PLATE-16
1A008547	PLATE-6	1A010136	PLATE-2	1A014489	PLATE-8
1A008559	PLATE-9	1A010166	PLATE-17	1A014592	PLATE-9
1A008672	PLATE-12	1A010187	PLATE-10	1A015321	PLATE-7
1A008715	PLATE-16	1A010208	PLATE-3	1A015692	PLATE-14
1A008804	PLATE-6	1A010461	PLATE-3	1A015696	PLATE-11
1A008804	PLATE-33	1A010548	PLATE-2	1A015720R	PLATE-11
1A008823	PLATE-9	1A010561	PLATE-3	1A015723R	PLATE-11
1A009093	PLATE-6	1A010632	PLATE-6	1A016737	PLATE-4
1A009251	PLATE-27	1A010696R	PLATE-16	1A016964	PLATE-26
1A009352	PLATE-27	1A010720	PLATE-9	1A016964	PLATE-6

PART NO	BLOCK	PART NO	BLOCK	PART NO	BLOCK
1D000425R	PLATE-16	286328	PLATE-18	441025	PLATE-40
1D000671R	PLATE-27	286328	PLATE-18	441026	PLATE-40
1D001138	PLATE-9	286328	PLATE-23	441027	PLATE-40
1D001846	PLATE-12	286328	PLATE-23	441028	PLATE-40
1D001846	PLATE-16	288730	PLATE-5	441029	PLATE-40
1D001847	PLATE-12	30072	PLATE-39	441030	PLATE-40
1D001894	PLATE-30	30074	PLATE-11	441031	PLATE-40
1E002770	PLATE-25	30104	PLATE-25	441032	PLATE-40
20104	PLATE-20	30209R	PLATE-24	441033	PLATE-40
20104	PLATE-21	30242	PLATE-20	441034	PLATE-40
20104	PLATE-26	3055	PLATE-19	441035	PLATE-40
20110	PLATE-18	3055	PLATE-19	441036	PLATE-40
20110	PLATE-23	31056	PLATE-19	441037	PLATE-40
20359	PLATE-23	31057	PLATE-27	441038	PLATE-40
21110	PLATE-24	31088	PLATE-26	441041	PLATE-40
21110	PLATE-25	31088	PLATE-27	441042	PLATE-40
21216	PLATE-26	31088	PLATE-27	441043	PLATE-40
216369	PLATE-20.1	31088	PLATE-27	441044	PLATE-40
216369	PLATE-19	31088	PLATE-29	441045	PLATE-40
220575	PLATE-5	31088	PLATE-29	441046	PLATE-40
224644	PLATE-19	31088	PLATE-30	441047	PLATE-40
226596	PLATE-23	31089	PLATE-11	48197	PLATE-26
226661	PLATE-23	31089	PLATE-25	482335	PLATE-15
226662	PLATE-23	31089	PLATE-28	483711	PLATE-11
229524	PLATE-26	31092	PLATE-6	485655	PLATE-9
231370	PLATE-18	31116	PLATE-39	485703	PLATE-9
231370	PLATE-18	31116	PLATE-21	485703	PLATE-11
231370	PLATE-23	31116	PLATE-29	485868	PLATE-14
231370	PLATE-23	31118	PLATE-39	566545	PLATE-24
231370	PLATE-23	31118	PLATE-39	567454	PLATE-39
231370	PLATE-6	31118	PLATE-21	567456	PLATE-39
237246	PLATE-23	31118	PLATE-21	567458	PLATE-39
243303R	PLATE-23	31119	PLATE-18	567461	PLATE-26
245038	PLATE-31	31119	PLATE-18	567473	PLATE-24
245038	PLATE-32	31119	PLATE-29	567498R	PLATE-27
265091	PLATE-18	31154	PLATE-18	567581	PLATE-27
267065	PLATE-23	432142	PLATE-9	567593	PLATE-28
267068	PLATE-23	433122	PLATE-11	567690	PLATE-26
269755	PLATE-9	434541	PLATE-14	567706	PLATE-27
269755	PLATE-11	434541	PLATE-15	567746G1	PLATE-26
272178	PLATE-18	434716	PLATE-11	567747	PLATE-27
285536	PLATE-4	435571	PLATE-15	567899	PLATE-26
286328	PLATE-18	436947	PLATE-11	567920	PLATE-26

PART NO	BLOCK	PART NO	BLOCK	PART NO	BLOCK
567920	PLATE-26	604758	PLATE-24	644838R	PLATE-30
567990	PLATE-24	604759	PLATE-24	644897	PLATE-23
567991	PLATE-24	604856	PLATE-34	644898	PLATE-23
567992	PLATE-24	604909	PLATE-19	644973R	PLATE-23
567993	PLATE-24	604910	PLATE-26	645036	PLATE-19
568095	PLATE-24	604948	PLATE-18	645037	PLATE-29
568140	PLATE-18	604954	PLATE-21	652001	PLATE-26
568161	PLATE-26	60565	PLATE-25	652253R	PLATE-21
568289	PLATE-23	616541	PLATE-24	652356	PLATE-31
568671	PLATE-22	616541	PLATE-31	652360	PLATE-32
568689	PLATE-18	616649	PLATE-21	652361	PLATE-32
568692	PLATE-20	616738	PLATE-19	652520	PLATE-23
568692	PLATE-27	616738R	PLATE-19	652520	PLATE-24
568713	PLATE-19	632056	PLATE-26	652521	PLATE-24
568713	PLATE-19	632109	PLATE-19	658810	PLATE-28
568713	PLATE-20	632148	PLATE-32	659857	PLATE-37
568721	PLATE-27	632158	PLATE-25	659857	PLATE-34
568737	PLATE-26	632247	PLATE-18	659862	PLATE-34
569165	PLATE-27	632299	PLATE-18	660109	PLATE-27
569197	PLATE-27	632508	PLATE-21	660109	PLATE-27
569241	PLATE-18	63440	PLATE-31	660168	PLATE-21
569244	PLATE-18	63440	PLATE-32	660168	PLATE-22
569246R	PLATE-24	639088	PLATE-27	660168	PLATE-28
569255	PLATE-24	640762	PLATE-27	660207ED	PLATE-29
569375	PLATE-18	642032	PLATE-27	660931	PLATE-23
587576R	PLATE-18	642537	PLATE-9	660931	PLATE-24
587616	PLATE-31	643149	PLATE-9	661229	PLATE-26
587617	PLATE-23	643156	PLATE-9	661266	PLATE-23
587624R	PLATE-26	643367	PLATE-11	661267	PLATE-23
587671R	PLATE-27	643661	PLATE-39	661282	PLATE-23
587902	PLATE-25	643691	PLATE-22	661399	PLATE-36
587905PC	PLATE-21	643692	PLATE-26	661909	PLATE-38
587971	PLATE-23	643741	PLATE-23	661925	PLATE-20.1
602120	PLATE-32	643772R	PLATE-24	662422	PLATE-24
602123	PLATE-32	643850	PLATE-34	662423	PLATE-24
602497	PLATE-31	643882	PLATE-37	662571	PLATE-19
602497	PLATE-32	643884	PLATE-34	675378	PLATE-39
604535	PLATE-23	644299	PLATE-20.1	680166	PLATE-27
604553	PLATE-8	644299	PLATE-19	6A000068	PLATE-33
604557	PLATE-27	644812	PLATE-26	6A000070	PLATE-33
604717	PLATE-26	644813	PLATE-26	6A000105	PLATE-18
604756	PLATE-21	644814R	PLATE-26	6A000124	PLATE-37
604758	PLATE-24	644824	PLATE-19	6A000131	PLATE-37

PART NO	BLOCK	PART NO	BLOCK	PART NO	BLOCK
6A000143	PLATE-19	83041R	PLATE-14	929939	PLATE-36
6A000158	PLATE-37	83053R	PLATE-11	929940	PLATE-36
6A000184	PLATE-34	83054R	PLATE-11	932207	PLATE-38
6A000184	PLATE-34	842001600	PLATE-2	932207	PLATE-35
6A000197	PLATE-25	842001600	PLATE-2	932208	PLATE-38
6A000556	PLATE-19	843000500	PLATE-6	932208	PLATE-35
6A000574	PLATE-8	843000809	PLATE-2	932209	PLATE-38
6A000578	PLATE-19	844719	PLATE-15	932210	PLATE-38
6B000211	PLATE-22	847928	PLATE-14	932210	PLATE-35
6B000213	PLATE-22	847928	PLATE-15	932211	PLATE-35
6B000214	PLATE-22	87067	PLATE-24	932212	PLATE-38
6B000401	PLATE-39	872816	PLATE-9	932212	PLATE-35
6B000753	PLATE-29	878941	PLATE-9	932213	PLATE-35
6B000754	PLATE-29	884222808	PLATE-9	932214	PLATE-38
6B001309	PLATE-29	920008	PLATE-38	932214	PLATE-35
6B001310	PLATE-29	920088	PLATE-8	932215	PLATE-38
6B001360	PLATE-29	920209	PLATE-40	932215	PLATE-35
6C000060	PLATE-23	920401	PLATE-40	932216	PLATE-35
6C000118	PLATE-26	925406	PLATE-40	932217	PLATE-38
6D000010	PLATE-19	925501	PLATE-31	932217	PLATE-35
6D000058	PLATE-22	925501	PLATE-32	932218	PLATE-38
6D000059	PLATE-22	925521	PLATE-31	932218	PLATE-35
6D000214	PLATE-22	925573	PLATE-32	932219	PLATE-38
6D000420	PLATE-27	925574	PLATE-32	932219	PLATE-35
6D000421	PLATE-27	925581	PLATE-28	932220	PLATE-38
6D000423	PLATE-27	925704	PLATE-40	932220	PLATE-35
6D000424	PLATE-27	925766	PLATE-34	932221	PLATE-38
6D000425	PLATE-27	925768	PLATE-38	932221	PLATE-35
6D000426	PLATE-27	925768	PLATE-35	932222	PLATE-38
6D000427	PLATE-27	925781	PLATE-38	932222	PLATE-35
6D000428	PLATE-27	925781	PLATE-35	932223	PLATE-35
6D000429	PLATE-27	925783	PLATE-38	932224	PLATE-38
6D000432	PLATE-27	925786	PLATE-27	932224	PLATE-35
6D000435	PLATE-27	925888	PLATE-19	932225	PLATE-38
7066R	PLATE-9	926009	PLATE-40	932225	PLATE-35
71633	PLATE-27	929929	PLATE-38	932226	PLATE-38
74521	PLATE-24	929929	PLATE-35	932226	PLATE-35
75708	PLATE-24	929931	PLATE-36	932227	PLATE-38
808000826	PLATE-19	929933	PLATE-36	932227	PLATE-35
808000826	PLATE-20	929934	PLATE-36	932228	PLATE-38
82635R	PLATE-4	929935	PLATE-36	932228	PLATE-35
829661	PLATE-9	929936	PLATE-36	932229	PLATE-38
83040R	PLATE-14	929938	PLATE-36	932229	PLATE-35

PART NO	BLOCK	PART NO	BLOCK	PART NO	BLOCK
932230	PLATE-38	B003228	PLATE-26	B016824	PLATE-7
932230	PLATE-35	B003282	PLATE-20.1	B016825	PLATE-7
932231	PLATE-38	B003282	PLATE-19	B016827	PLATE-7
932231	PLATE-35	B003286	PLATE-18	B016828	PLATE-7
932232	PLATE-38	B003652	PLATE-29	B016829	PLATE-7
932232	PLATE-35	B003784	PLATE-31	B016834	PLATE-7
932233	PLATE-36	B003784	PLATE-32	B016869	PLATE-7
932235	PLATE-36	B003978	PLATE-21	B017113	PLATE-14
932236	PLATE-36	B006286	PLATE-37	B017165	PLATE-14
932237	PLATE-36	B006287	PLATE-37	B017165	PLATE-15
932238	PLATE-36	B006792	PLATE-39	B017189	PLATE-16
932239	PLATE-36	B014063	PLATE-9	B017230	PLATE-11
932240	PLATE-36	B014066	PLATE-9	B017323	PLATE-14
932240	PLATE-38	B014555	PLATE-15	B017336	PLATE-11
932240	PLATE-35	B014684	PLATE-11	B017431	PLATE-14
932241	PLATE-36	B014705	PLATE-11	B017438	PLATE-11
932242	PLATE-36	B014706	PLATE-11	B017456	PLATE-11
932243	PLATE-36	B014732	PLATE-11	B017542	PLATE-7
932254	PLATE-35	B014755	PLATE-9	B017746	PLATE-14
932255	PLATE-38	B014760	PLATE-14	B018262	PLATE-13
932255	PLATE-35	B015288	PLATE-11	B018442	PLATE-7
932263	PLATE-38	B015483	PLATE-14	B018533	PLATE-11
932264	PLATE-38	B015543	PLATE-7	B018718	PLATE-14
932270	PLATE-38	B015592	PLATE-9	B018853	PLATE-16
932273	PLATE-34	B015598	PLATE-4	B018853	PLATE-2
932274	PLATE-34	B015872	PLATE-9	B018854	PLATE-15
932275	PLATE-34	B015873	PLATE-9	B018946	PLATE-14
932276	PLATE-34	B015943	PLATE-4	B019047	PLATE-13
940004	PLATE-31	B016016	PLATE-7	B019220	PLATE-2
940005	PLATE-32	B016120	PLATE-16	B019420	PLATE-16
940006	PLATE-32	B016144	PLATE-12	B019420	PLATE-3
940028	PLATE-5	B016147	PLATE-16	B023727R	PLATE-27
940028	PLATE-5	B016148	PLATE-16	B023727R	PLATE-27
940067	PLATE-26	B016192	PLATE-13	B023727R	PLATE-27
940068	PLATE-26	B016368	PLATE-11	B023968	PLATE-30
940069	PLATE-8	B016552	PLATE-9	B023976	PLATE-22
940071	PLATE-8	B016620	PLATE-13	B024133	PLATE-34
940072	PLATE-8	B016774	PLATE-14	B024147	PLATE-37
963486	PLATE-15	B016774	PLATE-16	B024168	PLATE-20.1
B001386	PLATE-20	B016774	PLATE-5	B024168	PLATE-19
B002630	PLATE-19	B016774	PLATE-7	B024169	PLATE-22
B003076	PLATE-39	B016822	PLATE-7	B024194	PLATE-34
B003110R	PLATE-30	B016823	PLATE-7	B024474	PLATE-39

PART NO	BLOCK	PART NO	BLOCK	PART NO	BLOCK
B024474	PLATE-21	B073682	PLATE-27	B075488	PLATE-26
B024532	PLATE-27	B073685	PLATE-27	B075489	PLATE-26
B024614	PLATE-6	B073715	PLATE-27	B075565	PLATE-33
B041090	PLATE-8	B073788	PLATE-26	B075566	PLATE-33
B041225	PLATE-39	B073800	PLATE-26	B075580	PLATE-39
B041392	PLATE-21	B073809	PLATE-22	B075593	PLATE-18
B041491	PLATE-37	B073810	PLATE-22	B075614	PLATE-29
B041583	PLATE-29	B073811	PLATE-22	B075622	PLATE-37
B041584	PLATE-29	B073812	PLATE-22	B075638	PLATE-20.1
B041774	PLATE-26	B073814	PLATE-22	B075638	PLATE-34
B041774	PLATE-33	B073817	PLATE-25	B075638	PLATE-34
B041783	PLATE-36	B073821	PLATE-27	B075687ED	PLATE-25
B041783	PLATE-34	B073848	PLATE-25	B075700	PLATE-26
B041784	PLATE-34	B073849	PLATE-25	B075707	PLATE-20.1
B041784	PLATE-36	B073850	PLATE-25	B075716	PLATE-33
B041787	PLATE-39	B073953	PLATE-28	B075732	PLATE-22
B041798	PLATE-20.1	B074024	PLATE-26	B075790	PLATE-20.1
B041852	PLATE-20.1	B074033	PLATE-28	B075838	PLATE-26
B041853	PLATE-20.1	B074060	PLATE-39	B075852	PLATE-26
B041853	PLATE-19	B074170	PLATE-28	B075861	PLATE-37
B041876	PLATE-39	B074171	PLATE-28	B075862	PLATE-34
B042199	PLATE-37	B074262	PLATE-22	B075949	PLATE-26
B042199	PLATE-34	B074275	PLATE-22	B075950	PLATE-26
B042317	PLATE-26	B074435	PLATE-21	B075970	PLATE-8
B042356	PLATE-33	B074491	PLATE-27	B075974	PLATE-28
B042486	PLATE-9	B074539	PLATE-27	B075977	PLATE-27
B042657R	PLATE-34	B074539	PLATE-28	B075979	PLATE-21
B042693	PLATE-26	B074593	PLATE-20.1	B075981	PLATE-21
B042794	PLATE-26	B074594	PLATE-29	B075984	PLATE-29
B073084	PLATE-37	B074637	PLATE-39	B075985	PLATE-29
B073084	PLATE-37	B074637	PLATE-21	B075999	PLATE-28
B073320R	PLATE-30	B074657	PLATE-39	B076000	PLATE-28
B073469	PLATE-33	B074657	PLATE-21	B076001	PLATE-28
B073478	PLATE-22	B074905	PLATE-22	B076007	PLATE-19
B073479	PLATE-22	B075313	PLATE-25	B076007	PLATE-26
B073481	PLATE-22	B075327	PLATE-37	B076036	PLATE-33
B073538	PLATE-26	B075327	PLATE-30	B076078	PLATE-33
B073598	PLATE-29	B075328	PLATE-30	B076112	PLATE-8
B073600	PLATE-27	B075328	PLATE-34	B076120	PLATE-28
B073601	PLATE-20	B075443	PLATE-30	B076142	PLATE-39
B073602ED	PLATE-20	B075459	PLATE-18	B076191	PLATE-28
B073603	PLATE-39	B075475	PLATE-26	B076200	PLATE-34
B073626	PLATE-20	B075485	PLATE-26	B076201	PLATE-34

PART NO	BLOCK	PART NO	BLOCK	PART NO	BLOCK
B076203	PLATE-34	B078821	PLATE-19	B079363	PLATE-34
B076208	PLATE-33	B078874	PLATE-29	B079364	PLATE-34
B076209	PLATE-27	B078919	PLATE-21	B079365	PLATE-37
B076210	PLATE-27	B078924	PLATE-29	CM166103	PLATE-7
B076270	PLATE-39	B078930	PLATE-20.1	CM166110	PLATE-7
B076295	PLATE-18	B078964	PLATE-20.1	CM167704	PLATE-7
B076308	PLATE-27	B079003	PLATE-29	CM167710	PLATE-7
B076364	PLATE-33	B079047	PLATE-22	CM167802	PLATE-7
B076410	PLATE-39	B079057	PLATE-19	CM167804	PLATE-7
B076434	PLATE-35	B079059	PLATE-20.1	CM167902	PLATE-7
B076437	PLATE-37	B079067	PLATE-30	CM263502	PLATE-7
B076605	PLATE-28	B079086	PLATE-19	CM263602	PLATE-7
B076606	PLATE-28	B079089	PLATE-30	CM263603	PLATE-7
B076650R	PLATE-39	B079090	PLATE-30	CM264701	PLATE-7
B076749	PLATE-19	B079091	PLATE-20.1	CM264702	PLATE-7
B076801	PLATE-28	B079091	PLATE-19	CM284001	PLATE-15
B076802	PLATE-28	B079094BW	PLATE-29	CM284002	PLATE-15
B076847	PLATE-26	B079094BY	PLATE-29	CM284003	PLATE-15
B076859	PLATE-24	B079094CB	PLATE-29	CM284102	PLATE-7
B076873SP	PLATE-24	B079094EG	PLATE-29	CM293901	PLATE-1
B077319	PLATE-37	B079094GY	PLATE-29	CM293902	PLATE-1
B077319	PLATE-38	B079094NB	PLATE-29	CM293903	PLATE-1
B077513	PLATE-37	B079094WR	PLATE-29	D9165140620	PLATE-29
B077754	PLATE-30	B079105	PLATE-20.1	D9166140616	PLATE-19
B077755	PLATE-30	B079168	PLATE-37	KIT1U000020	PLATE-11
B077865	PLATE-28	B079200	PLATE-29	KIT96041R	PLATE-15
B077866	PLATE-28	B079201	PLATE-29	KIT96042R	PLATE-15
B077970ED	PLATE-29	B079214	PLATE-29	KIT96045R	PLATE-29
B078029	PLATE-25	B079215	PLATE-29	NEW	PLATE-21
B078096	PLATE-39	B079221BL	PLATE-21	NEW	PLATE-21
B078170CB	PLATE-21	B079221BW	PLATE-21	NEW	PLATE-33
B078213	PLATE-27	B079221CB	PLATE-21	NS	PLATE-15
B078213	PLATE-30	B079221EG	PLATE-21	NS	PLATE-33
B078256ED	PLATE-29	B079221GY	PLATE-21	SP1A006405	PLATE-14
B078272	PLATE-28	B079221NB	PLATE-21	SP1A007045	PLATE-16
B078274	PLATE-28	B079221WR	PLATE-21	SP1A007046	PLATE-9
B078286R	PLATE-28	B079222BL	PLATE-21	SP1A009146	PLATE-6
B078316	PLATE-39	B079222BW	PLATE-21	SP1A011650	PLATE-10
B078320	PLATE-29	B079222EG	PLATE-21	SP1A012040	PLATE-10
B078401	PLATE-6	B079222GY	PLATE-21	SP1A012040	PLATE-6
B078715	PLATE-39	B079222NB	PLATE-21	SP1A012928	PLATE-11
B078716	PLATE-39	B079222WR	PLATE-21	SST96030	PLATE-40
B078821	PLATE-20.1	B079282	PLATE-22	SST96031	PLATE-40

